





## Campbell 6/0 Studio Rigging Chain

Stock Code	Diameter	Finish	Internal Dimensions	Weight per lbs/100ft	Working Load Limit
08ST-6/0HTCA	9/32	S/C	1.50 X 0.47	65.00	2,000lbs

- Sold as 100 feet boxes only.

## Long Link Alloy Chain

Stock Code	Diameter	Finish	Internal Dimensions	Weight per lbs/100ft	Working Load Limit
08TRL-LL12GJ	3/8	YELLOW	2.50 X 0.63	94	5,100lbs
08TRL-LL14GJ	7/16	YELLOW	2.56 X 0.75	141	7,700lbs
08TRL-LL16GJ	1/2	YELLOW	3.15 X 0.87	195	10,700lbs
08ST-16NETS	1/2	S/C	3.16 X 1.04	230	12,000lbs

- Tagging is an additional.

## Grade 30 Proof Coil Chain (USA)

Diameter	Weight per 100 feet Pounds	Working Load Limit	Self Colour Stock Code	Galvanized Stock Code
1/8	22	375lbs	08PR-TS04CA	08PR-TG04CA
3/16	39	800lbs	08PR-TS06CA	08PR-TG06CA
1/4	63	1,300lbs	08PR-TS08CA	08PR-TG08CA
5/16	83	1,900lbs	08PR-TS10CA	08PR-TG10CA
3/8	142	2,650lbs	08PR-TS12CA	08PR-TG12CA

- Larger diameters available.



## Wire Rope

### 7 x 7 & 7 x 19 Galvanized Aircraft Cable

Stock Code	Diameter	Construction	Breaking Strength	Weight per 100 Feet
W70702B5	1/16	7 X 7 Galvanized Aircraft	480lbs	0.75lbs
W70703B5	3/32	7 X 7 Galvanized Aircraft	920lbs	1.60lbs
W71904B5	1/8	7 X 19 Galvanized Aircraft	2,000lbs	2.90lbs
W71905B5	5/32	7 X 19 Galvanized Aircraft	2,800lbs	4.50lbs
W71906B5	3/16	7 X 19 Galvanized Aircraft	4,200lbs	6.50lbs
W71908B5	1/4	7 X 19 Galvanized Aircraft	7,000lbs	11.00lbs
W71910B5	5/16	7 X 19 Galvanized Aircraft	9,800lbs	17.30lbs
W71912B5	3/8	7 X 19 Galvanized Aircraft	14,400lbs	24.30lbs

- Pre cut lengths stocked in 500ft spools

### Black Powder Coated Galvanized Aircraft Cable

Stock Code	Diameter	Construction	Coating	Breaking Strength	Weight per 100 Feet
W70702BPB	3/64	7 X 7 Galvanized Aircraft	PVC	480lbs	2.00lbs
W71904BPB	1/16	7 X 19 Galvanized Aircraft	PVC	2,000lbs	3.90lbs
W71906BPB	3/32	7 X 19 Galvanized Aircraft	PVC	4,200lbs	7.80lbs
W70702BN	1/8	7 X 7 Galvanized Aircraft	NYLON	480lbs	2.00lbs
W70703BN	5/32	7 X 7 Galvanized Aircraft	NYLON	920lbs	3.25lbs
W71904BN	3/16	7 X 19 Galvanized Aircraft	NYLON	2,000lbs	3.90lbs
W71905BN	5/32-3/16	7 X 19 Galvanized Aircraft	NYLON	2,800lbs	5.20lbs



## Double Braid Nylon Rope

Stock Code	Diameter	Weight Per 100 Feet Pounds	Breaking Strength		Reel Length Feet
			AVG (LBS)	MIN (LBS)	
48NYL-DB08	1/4	1.7	2,400	2,160	600
48NYL-DB10	5/16	2.6	3,400	3,060	600
48NYL-DB12	3/8	3.7	5,000	4,500	600
48NYL-DB16	1/2	6.4	8,000	7,200	600
48NYL-DB20	5/8	12.0	14,800	13,320	600
48NYL-DB24	3/4	16.0	19,000	17,100	600
48NYL-DB28	7/8	21.8	28,000	25,200	600
48NYL-DB32	1	26.0	33,500	30,150	600
48NYL-DB40	1 1/4	41.0	52,000	46,800	600

## Double Braid Polyester Rope

Stock Code	Diameter	Weight Per 100 Feet Pounds	Breaking Strength		Reel Length Feet
			AVG (LBS)	MIN (LBS)	
48POL-DB08	1/4	2.0	1,950	1,755	600
48POL-DB10	5/16	3.1	3,500	3,150	600
48POL-DB12	3/8	4.5	4,900	4,410	600
48POL-DB16	1/2	8.0	8,500	7,650	600
48POL-DB20	5/8	12.5	15,500	13,950	600
48POL-DB24	3/4	17.9	18,000	16,200	600
48POL-DB28	7/8	24.4	24,000	21,600	600
48POL-DB32	1	31.9	32,000	28,800	600



## Spectra 12 Strand Rope, Black Coated

Stock Code	Diameter	Weight Pounds per 100ft	Breaking Strength		Reel Length Feet
			Average (lbs)	Minimun (lbs)	
48SPEC-12S04	1/8	0.53	1,800	1,620	660
48SPEC-12S05	5/32	0.91	2,000	1,800	660
48SPEC-12S06	3/16	1.04	3,800	3,400	660
48SPEC-12S08	1/4	1.70	6,600	5,900	660
48SPEC-12S10	5/16	2.90	9,800	8,800	660
48SPEC-12S12	3/8	3.80	14,100	12,700	660
48SPEC-12S16	1/2	6.40	25,000	22,500	660

- Larger diameters available.



## Technora 12 Strand Rope, Black Coated

Stock Code	Diameter	Weight lbs/100ft	Breaking Strength		Reel Length Feet
			AVG (lbs)	MIN (lbs)	
48TEC-12S04	1/8	0.6	2,800	2,520	600
48TEC-12S06	3/16	1.3	5,600	5,040	600
48TEC-12S08	1/4	1.9	8,150	7,335	600

- Larger diameters available.



## Plasma 12 Strand Rope

Stock Code	Diameter	Weight Per 100 Feet Pounds	Breaking Strength Pounds	Reel Length Feet
48SPHS-12S06	3/16	1.12	5,500	600
48SPHS-12S08	1/4	1.60	8,000	600
48SPHS-12S10	5/16	2.50	11,700	600
48SPHS-12S12	3/8	3.70	17,500	600
48SPHS-12S16	1/2	6.40	31,300	600
48SPHS-12S20	5/8	10.6	51,400	600
48SPHS-12S24	3/4	13.30	68,500	600
48SPHS-12S28	7/8	19.60	92,600	600

\* A wider range of diameters also available.



## Polypropylene 3 Strand Black

Stock Code	Diameter	Weight Per 100 Feet Pounds	Breaking Strength Pounds	Reel Length Feet
48POL-3S16BLK	1/2	4.70	5,240	600
48POL-3S20BLK	5/8	7.50	7,540	600
48POL-3S24BLK	3/4	10.70	10,600	600

\* A wider range of diameters available in Blue & Yellow Poly Ropes.



## Bluewater Assaultline Static Kernmantle

Stock Code	Diameter	Weight Pounds per 100ft	Breaking Strength - lbs	Colour	Reel Length Feet
48STC-10GLD	8mm	3.50	4,000	Gold	450(137M)
48STC-14BLK	7/16	5.47	6,500	Black	656(200M)
48STC-14OLV	7/16	5.47	6,500	Olive Drab	656(200M)
48STC-14GLD	7/16	5.47	6,500	Gold	656(200M)

- Larger diameters available.



## Bluewater Accessory Cord

Stock Code	Diameter	Weight lbs/100ft	Breaking Strength-lbs	Colour	Reel Length Feet
48STC-04VAR	3mm	0.47	400	Black	328(100M)
48STC-05VAR	4mm	1.01	900	Black	328(100M)
48STC-06VAR	5mm	1.27	1,250	Various	328(100M)
48STC-08VAR	6mm	1.75	1,700	Various	328(100M)
48STC-09VAR	7mm	2.48	2,600	Black	197(60M)
48STC-10VAR	8mm	2.82	3,100	Black	197(60M)



## Spun Polyester Sash Cord

Stock Code	Diameter	Weight Pounds per 100 Feet	Breaking Strength - lbs	Reel Length Feet
48SAS-PL06	3/16", #6	0.63	410	1,000
48SAS-PL08	1/4", #8	1.30	1,000	500
48SAS-PL10	5/16", #10	2.14	1,400	350

- Sold as full reel only.



## Solid Braided Cotton Sash Cord

Stock Code	Diameter	Weight Pounds per 100 Feet	Breaking Strength in Pounds
48SAS-CT06	3/16", #6	1.0	185
48SAS-CT08	1/4", #8	1.5	200

- Sold as 1,000 feet full reel or 100 feet hank only. Other sizes available.



## Shock Cord

Stock Code	Diameter	Weight Pounds P/100ft	Reel Length Feet
48SHK-PT04	1/8	0.60	500
48SHK-PT06	3/16	1.31	500
48SHK-PT08	1/4	2.57	500
48SHK-PT10	5/16	3.62	500
48SHK-PT12	3/8	5.36	250
48SHK-PT16	1/2	7.80	250
48SHK-PT20	5/8	11.60	150



## 3 Strand Manila Rope

Stock Code	Diameter	Weight Pounds per 100 feet	Breaking Strength in Pounds	Reel Length Feet
48MAN-08	1/4	2.0	540	600
48MAN-10	5/16	2.9	900	600
48MAN-12	3/8	4.1	1,215	600
48MAN-16	1/2	7.5	2,385	600
48MAN-20	5/8	13.4	3,960	600
48MAN-24	3/4	16.7	4,860	600
48MAN-24	7/8	22.5	6,930	600
48MAN-32	1	27.0	8,100	600



## Black Yarding Rope Blocks

Stock Code	Size Inches	Wire Rope Size	Working Load Limit Pounds	Weight per Piece Pounds	Description
07YD-S03	3	5/16	1,100	2.36	Single
07YD-S04	4	3/8	2,200	3.80	Single
07YD-S05	5	7/16	3,300	6.75	Single
07YD-S06	6	9/16	4,400	10.75	Single
07YD-S08	8	3/4	7,700	21.50	Single
07YD-S10	10	7/8	8,800	33.00	Single
07YD-D04	4	3/8	2,200	5.70	Double
07YD-D05	5	7/16	3,300	10.12	Double
07YD-D06	6	9/16	4,400	16.80	Double
07YD-D08	8	3/4	7,700	33.15	Double
07YD-P04	4	N/A	N/A	1	Pin
07YD-P05	5	N/A	N/A	1	Pin
07YD-P06	6	N/A	N/A	1	Pin
07YD-P08	8	N/A	N/A	1	Pin
07YD-P10	10	N/A	N/A	1	Pin

## Cast Wire Rope Single Sheaves

Stock Code	Size Inches	Wire Rope Diameter	Bore Diameter	Working Load Limit Pounds
07SH-02*	2	3/16	3/8	N/A
07SH-03J	3	5/16	1/2	1,000
07SH-04J	4	3/8	5/8	2,000
07SH-05J	5	1/2	3/4	3,000
07SH-06J	6	5/8	1-1/8	4,000
07SH-08J	8	7/8	1-1/4	8,000

- \*Steel sheave.



## Load Rated Steel Wire Rope Pulleys

Stock Code	Size Inches	Description	Working Load Limit	Maximum Wire Rope Size Inches	Weight Each Pounds
34PWF-06CA	2	Fixed Eye	480lbs	3/16	0.80
34PWF-08CA	2 1/2	Fixed Eye	550lbs	1/4	1.50
34PWS-06CA	2	Swivel Eye	480lbs	3/16	0.80
34PWS-08CA	2 1/2	Swivel Eye	550lbs	1/4	1.12

- All wire rope pulleys are electroplated with bronze bushings. Working Load Limit stamped into body.



## SMC Pulleys

Stock Code	Description	Minimum Breaking Strength	Rope Size Inches	Weight Each Ounces
07SMC-150000	2" Single	22kN	1/2	8.6
07SMC-151000	3" Single	36kN	5/8	16.0
07SMC-152000	4" Single	38kN	5/8	23.0
07SMC-155000	2" Double	41kN	1/2	16.2



## Zinc Plated Quick Links (Rapid Links)

Stock Code	Size Inches	Working Load Limit Pounds	Opening	Inside Dimensions	Weight per 100 Pieces
40RQ-04CA	1/8	220	1/8"	7/16" x 1 1/8"	3 lbs
40RQ-06CA	3/16	610	3/16"	9/16" x 1 5/8"	5 lbs
40RQ-08CA	1/4	880	1/4"	5/8" x 1 13/16"	7 lbs
40RQ-10CA	5/16	1,540	5/16"	3/4" x 2 1/4"	16 lbs
40RQ-12CA	3/8	1,980	3/8"	13/16" x 2 1/2"	22 lbs
40RQ-14CA	7/16	2,650	1/2"	7/8" x 2 3/4"	32 lbs
40RQ-16CA	1/2	3,300	9/16"	1" x 3 1/4"	51 lbs

- Quick Links are manufactured from low carbon steel, do not use for overhead lifting or in any application where safety is a factor.



## Zinc Plated Spring Snap Links

Stock Code	Size Inches	Opening	Inside Dimensions	Weight per 100 Pieces
40SNP-06	3/16	1/4"	1/4" x 2 1/8"	3.75 lbs
40SNP-08	1/4	5/16"	5/16" x 2 1/2"	7.50 lbs
40SNP-10	5/16	7/16"	7/16" x 3 1/8"	15.00 lbs
40SNP-12	3/8	1/2"	1/2" x 3 5/8"	22.50 lbs
40SNP-14	7/16	3/4"	5/8" x 4 3/4"	37.50 lbs
40SNP-16	1/2	1"	11/16" x 5 1/2"	57.50 lbs

- Snap Links are manufactured from low carbon steel, do not use for overhead lifting or in any application where safety is a factor.



## Carabiners

Stock Code	Nominal Size	Description
90SAF-605745	12mm	Jake Aluminum Quick Lock Carabiner - Black 23kN
90SAF-605730	11mm	Screw-Lok 'D' Aluminum Carabiner - Silver 31kN
90SAF-605735	11mm	Screw-Lok 'D' Aluminum Carabiner - Black 31kN
90SAF-605760	7/16"	Screw-Lok Offset 'D' Steel Carabiner - Black 53kN
90SAF-605800	1/2"	Screw-Lok 'D' Large Steel Carabiner - Black 72kN
90SAF-605820	1/2"	Screw-Lok 'D' Large Steel Carabiner - Gold 72kN
90SAF-PZLM16	7/16"	Petzl Screw-Lok Aluminum Carabiner - Black 23kN



## Rope Rescue Hardware

Stock Code	Number	Description
90SAF-PZL58	58	Petzl Swivel with Small Eye MBS 36kN
90SAF-PZL58L	58L	Petzl Swivel with Large Eye MBS 36kN
90SAF-PZLD20L	D20L	Petzl Descender 11.5 to 13mm Rope
90SAF-PZLB50	B50	Petzl Rescucender Rope Grab 7/16" Rope
90SAF-PZLB54	B54	Petzl Microcender Rope Grab 7/16" Rope
90SAF-PZLP61	P61	Petzl Rigger Plate
07SMC-130005	130005	SMC 5 Point Rigging Plate Avg Strength 12,000lbs



## Ratchet Tie Down Assemblies

Stock Code	Width Inches	Description	Length Feet	Breaking Strength
90TIE-1.0RATEND	1	Ratchet Loop Assembly	12	2,500lbs
90TIE-1.0X16W	1	Ratchet W/ Wire Hook	16	2,500lbs
90TIE-1X15WSET	1	Ratchet W/ Wire Hook*	15	2,500lbs
90TIE-1X16WSET	1	Ratchet W/ Wire Hook & Keeper*	16	2,500lbs
~	1	Webbing Only	1	2,500lbs
90TIE-SET2215	2	Ratchet Tie Down Set Wire Hook	15	10,000lbs
90TIE-SET2220	2	Ratchet Tie Down Set Wire Hook	20	10,000lbs
90TIE-SET2225	2	Ratchet Tie Down Set Wire Hook	25	10,000lbs
90TIE-SET22	2	Ratchet Tie Down Set Wire Hook	30	10,000lbs
90TIE-2.0RL08	2	Ratchet Loop Assembly	8	10,000lbs
90TIE-2.0RATEND	2	Ratchet Loop Assembly	12	10,000lbs
90TIE-2.0RL16	2	Ratchet Loop Assembly	16	10,000lbs
90TIE-2.0RL20	2	Ratchet Loop Assembly	20	10,000lbs
90TIE-ROPEE	2	Dee Ring & E Track Fitting	1	10,000lbs
~	2	Webbing Only	1	10,000lbs

- Available in Black & Yellow webbing.
- Other end fittings, configurations and lengths available at short notice.
- \* Blue Webbing.



## Flat Nylon Webbing Slings

Stock Code	Width Inches	Description	Length Feet	WLL Single Ply	WLL Double Ply
90EE1(2)-901N05	1	With Flat Eyes	5	1,600lbs	3,100lbs
90EE1(2)-901N10	1	With Flat Eyes	10	1,600lbs	3,100lbs
90EE1(2)-901N15	1	With Flat Eyes	15	1,600lbs	3,100lbs
90EE1(2)-901N20	1	With Flat Eyes	20	1,600lbs	3,100lbs
90EE1(2)-902N05	2	With Flat Eyes	5	3,200lbs	6,000lbs
90EE1(2)-902N10	2	With Flat Eyes	10	3,200lbs	6,000lbs
90EE1(2)-902N15	2	With Flat Eyes	15	3,200lbs	6,000lbs
90EE1(2)-902N20	2	With Flat Eyes	20	3,200lbs	6,000lbs
90EE1(2)-903N05	3	With Tapered Eyes	5	4,800lbs	8,800lbs
90EE1(2)-903N10	3	With Tapered Eyes	10	4,800lbs	8,800lbs
90EE1(2)-903N15	3	With Tapered Eyes	15	4,800lbs	8,800lbs
90EE1(2)-903N20	3	With Tapered Eyes	20	4,800lbs	8,800lbs
90EE1(2)-904N05	4	With Tapered Eyes	5	6,400lbs	11,000lbs
90EE1(2)-904N10	4	With Tapered Eyes	10	6,400lbs	11,000lbs
90EE1(2)-904N15	4	With Tapered Eyes	15	6,400lbs	11,000lbs
90EE1(2)-904N20	4	With Tapered Eyes	20	6,400lbs	11,000lbs

- Wesco stock and manufacture any length required. Located at the bottom of each table is a price per foot for webbing. Slings with Widths wider than 4" and steel fittings are readily available.



## Endless Polyester Round Slings

Stock Code	Code	Colour	Length Feet	Working Load Limit Pounds
90RND-L03PUR04	L3	Purple	4	2,650
90RND-L03PUR06	L3	Purple	6	2,650
90RND-L03PUR08	L3	Purple	8	2,650
90RND-L06BLK02	L6	Black	2	5,300
90RND-L06BLK03	L6	Black	3	5,300
90RND-L06BLK04	L6	Black	4	5,300
90RND-L06BLK06	L6	Black	6	5,300
90RND-L06BLK08	L6	Black	8	5,300
90RND-L06BLK10	L6	Black	10	5,300
90RND-L09YEL04	L9	Yellow	4	8,400
90RND-L09YEL06	L9	Yellow	6	8,400
90RND-L09YEL08	L9	Yellow	8	8,400
90RND-L09YEL10	L9	Yellow	10	8,400
90RND-L09YEL12	L9	Yellow	12	8,400
90RND-L09YEL16	L9	Yellow	16	8,400
90RND-L09YEL18	L9	Yellow	18	8,400
90RND-L09YEL20	L9	Yellow	20	8,400

- Please call for a price and availability if your length or capacity is not listed above.
- Slings can also be supplied with steel hardware and wear pads. Please call for a price and availability.



## Aluminum & Copper Hand Swaging Sleeves

Wire Diameter	Number of Compressions	Aluminum Oval Sleeves		Copper Oval Sleeves	
		Weight Per 100 Pieces	Stock Code	Weight Per 100 Pieces	Stock Code
1/16	2	0.10lbs	56AL-02	0.30lbs	56CP-02CP
3/32	2	0.28lbs	56AL-03	0.50lbs	56CP-03CP
1/8	3	0.61lbs	56AL-04	1.70lbs	56CP-04CP
5/32	3	0.90lbs	56AL-05	2.30lbs	56CP-05CP
3/16	4	1.50lbs	56AL-06	4.90lbs	56CP-06CP
1/4	4	2.70lbs	56AL-08	8.00lbs	56CP-08CP
5/16	4-AL, 5-CP	4.80lbs	56AL-10	11.40lbs	56CP-10CP
3/8	4AL, 5-CP	10.40lbs	56AL-12	15.30lbs	56CP-12CP



## Aluminum & Copper Swage Button Stops

Wire Diameter	Number of Compressions	Aluminum Button Stop		Copper Button Stop	
		Weight Per 100 Pieces	Stock Code	Weight Per 100 Pieces	Stock Code
1/16	1	0.08lbs	56BS-02N	0.20lbs	56BS-CP02
3/32	2	0.30lbs	56BS-03N	0.80lbs	56BS-CP03
1/8	2	0.30lbs	56BS-04N	0.80lbs	56BS-CP04
5/32	2	0.48lbs	56BS-05N	1.30lbs	56BS-CP05
3/16	2	0.43lbs	56BS-06N	1.30lbs	56BS-CP06
1/4	3	2.10lbs	56BS-08N	6.00lbs	56BS-CP08
5/16	3	N/A	N/A	10.00lbs	56BS-CP10



## Crosby Wire Rope Clips

Stock Code	Diameter Inches	Torque in Foot-Pounds	Weight Per 100-Pounds	Minimum Number of Clips
22FG-04C	1/8	4.5	6	2
22FG-06C	3/16	7.5	10	2
22FG-08C	1/4	15	20	2
22FG-10C	5/16	30	30	2
22FG-12C	3/8	45	47	2
22FG-16C	1/2	65	80	3

- Larger sizes & Import Clips available upon request.



## Galvanized & Stainless Steel Standard Thimbles

Size Inches	Galvanized Thimble		Stainless Steel Thimble	
	Maximum Inside	Stock Code	Maximum Inside	Stock Code
1/16	N/A	N/A	3/8	76SS-02V
1/8	11/16	76ST-G04	3/8	76SS-04V
5/32	N/A	N/A	7/16	76SS-05V
3/16	11/16	76ST-G06	1/2	76SS-06V
1/4	11/16	76ST-G08	3/4	76SS-08V
5/16	13/16	76ST-G10	15/16	76SS-10V
3/8	15/16	76ST-G12	1	76SS-12V

- Larger sizes available upon request.



## Galvanized Turnbuckles Made in USA

Size Inches	Working Load Limit - Pounds	Eye & Eye Turnbuckle Stock Code	Jaw & Jaw Turnbuckle Stock Code
1/4 x 4	500	84TRN-EE08/04CA	84TRN-JJ08/04CA
5/16 x 4 1/2	800	84TRN-EE10/04CA	84TRN-JJ10/04CA
3/8 x 6	1,200	84TRN-EE12/06CA	84TRN-JJ12/06CA
1/2 x 6	2,200	84TRN-EE16/06CA	84TRN-JJ16/06CA
1/2 x 9	2,200	84TRN-EE16/09CA	84TRN-JJ16/09CA
1/2 x 12	2,200	84TRN-EE16/12CA	84TRN-JJ16/12CA
5/8 x 6	3,500	84TRN-EE20/06CA	84TRN-JJ20/06CA
5/8 x 9	3,500	84TRN-EE20/09CA	84TRN-JJ20/09CA
5/8 x 12	3,500	84TRN-EE20/12CA	84TRN-JJ20/12CA
5/8 x 16	3,500	84TRN-EE20/16CA	84TRN-JJ20/16CA
3/4 x 6	5,200	84TRN-EE24/06CA	84TRN-JJ24/06CA
3/4 x 9	5,200	84TRN-EE24/09CA	84TRN-JJ24/09CA
3/4 x 12	5,200	84TRN-EE24/12CA	84TRN-JJ24/12CA
3/4 x 18	5,200	84TRN-EE24/18CA	84TRN-JJ24/18CA
3/4 x 24	5,200	84TRN-EE24/24CA	84TRN-JJ24/24CA
7/8 x 12	7,200	84TRN-EE28/12CA	84TRN-JJ28/12CA
7/8 x 18	7,200	84TRN-EE28/18CA	84TRN-JJ28/18CA

- Larger sizes available upon request.



1202



1214



1263



1442

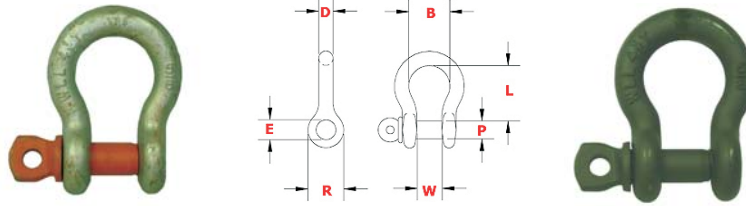


11204

## Wichard Stainless Steel Shackles

Stock Code	Part Number	Description	Breaking Load
51LSP-SSW1201	1201	5/32" S/S Locking Pin Dee	700kgs
51LSP-SSW1202	1202	3/16" S/S Locking Pin Dee	1,000kgs
51LSP-SSW1203	1203	1/4" S/S Locking Pin Dee	1,600kgs
51LSP-SSW1204	1204	5/16" S/S Locking Pin Dee	2,700kgs
51LSP-SSW1212	1212	3/16" S/S Locking Pin Long Dee	1,000kgs
51LSP-SSW1214	1214	5/16" S/S Locking Pin Long Dee	2,700kgs
51LSP-SSW1215	1215	3/8" S/S Locking Pin Long Dee	4,300kgs
51LSP-SSW1222	1222	3/16" Locking Pin Twisted Dee	1,100kgs
51LSP-SSW1224	1224	5/16" Locking Pin Twisted Dee	3,000kgs
51LSP-SSW1225	1225	3/8" Locking Pin Twisted Dee	4,500kgs
51LSP-SSW1242	1242	3/16" Locking Pin Anchor	1,000kgs
51LSP-SSW1263	1263	1/4" S/S Locking Pin Wide Dee	1,500kgs
50LSP-SSW1442	1442	3/16" S/S Captive Pin Anchor	1,500kgs
50LSP-SSW1443	1443	1/4" S/S Captive Pin Anchor	2,200kgs
50LSP-SSW1444	1444	5/16" S/S Captive Pin Anchor	3,700kgs
50LSP-SSW1445	1445	13/32" S/S Captive Pin Anchor	5,200kgs
51LSP-SSW11204	11204	5/16" S/S HR Dee	4,400kgs

- Other sizes available upon request and the complete range of Wichard Fittings.



## Galvanized CM Anchor Shackles (USA)

Stock Code	Size Inches	Working Load Limit Tons	Dimensions (Inches)					Weight per 100 Pieces Pounds
			Pin P	Width W	Length L	Width E	Eye R	
50LSP-G06CM	3/16	1/2	1/4	3/8	7/8	5/8	17/32	6
50LSP-G08CM	1/4	3/4	5/16	15/32	1-1/8	13/16	23/32	12
50LSP-G10CM	5/16	1	3/8	17/32	1-1/4	7/8	13/16	20
50LSP-G12CM	3/8	1-1/2	7/16	21/32	1-7/16	1-1/16	31/32	30
50LSP-G14CM	7/16	2	1/2	23/32	1-11/16	1-1/4	1-1/8	50
50LSP-G16CM	1/2	3	5/8	13/16	1-15/16	1-7/16	1-1/4	75
50LSP-G20CM	5/8	4-1/2	3/4	1-1/16	2-13/32	1-3/4	1-1/2	130
50LSP-G24CM	3/4	6-1/2	7/8	1-1/4	2-27/32	2	1-7/8	225
50LSP-G28CM	7/8	8-1/2	1	1-7/16	3-5/16	2-5/16	2-1/8	350
50LSP-G32CM	1	10	1-1/8	1-11/16	3-3/4	2-9/16	2-3/8	500
50LSP-G36CM	1-1/8	12	1-1/4	1-13/16	4-1/4	2-15/16	2-5/8	700

- Safety Anchor, Screw Pin Chain & Safety Chain Shackles also available. CROSBY Shackles and larger sizes also available upon request.

## Black CM Anchor Shackles (USA)

Stock Code	Size Inches	Working Load Limit Tons	Dimensions (Inches)					Weight per 100 Pieces Pounds
			Pin P	Width W	Length L	Width E	Eye R	
50LSP-B08CM	1/4	3/4	5/16	15/32	1-1/8	13/16	23/32	12
50LSP-B10CM	5/16	1	3/8	17/32	1-1/4	7/8	13/16	20
50LSP-B12CM	3/8	1 1/2	7/16	21/32	1-7/16	1-1/16	31/32	30
50LSP-B20CM	5/8	4-1/2	3/4	1-1/16	2-13/32	1-3/4	1-1/2	130



## Jaw & Jaw Bearing Swivels

Stock Code	Nominal Size	Working Load Limit
68DCD-028	7/8	1,800lbs
68DCD-040	1 1/4	4,000lbs
68DCD-044	1 3/8	6,500lbs
68DCD-052	1 5/8	8,000lbs
68DCD-064	2	10,000lbs

- Stainless Steel dual thrust bearing designed to swivel under full load. Factor of Safety 3:1.



## Rud Weldable Points & Starpoint Eyebolts

Stock Code	Description	Working Load Limit
28RUD-LBS1	LBS-1 Weldable Lashing/Lifting Point	2,200lbs
28RUD-LBS3	LBS-3 Weldable Lashing/Lifting Point	7,000lbs
28RUD-LBS5	LBS-5 Weldable Lashing/Lifting Point	11,000lbs
28RUD-VRSF12	3/8" Starpoint Swivel Eyebolt	2,200lbs
28RUD-VRSF16	1/2" Starpoint Swivel Eyebolt	4,400lbs
28RUD-VRSF20	5/8" Starpoint Swivel Eyebolt	8,820lbs

- Check with Wesco Industries for welding instructions.



## Load Rated Forged Shoulder Eyebolts

Stock Code	Size Inches	Inside Diameter of Eye - Inches	Working Load Limit @ 90° to Load	Working Load Limit (Pounds) @ Angle		
				75° to Load	60° to Load	45° to Load
28BTH-08SG	1/4 X 1	0.688	500	300	190	135
28BTH-10SG	5/16 X 1 1/8	0.812	900	465	295	210
28BTH-12SG	3/8 X 1 1/4	0.938	1,400	685	435	310
28BTH-16SG	1/2 X 1 1/2	1.125	2,600	1,235	785	560
28BTH-20SG	5/8 X 1 3/4	1.312	4,000	1,980	1,260	900

- Larger Sizes available. Do not use for angles less than 45 degrees to load.



## Load Rated Forged Regular Nut Eyebolts

Stock Code	Size Inches	Inside Diameter of Eye - Inches	Working Load Limit @ 90° to Load
28BRG-07CA	3/8 X 6	0.75	1,250
28BRG-10CA	1/2 X 8	1.00	2,250
28BRG-11CA	1/2 X 10	1.00	2,250
28BRG-12CA	1/2 X 12	1.00	2,250
28BRG-15CA	5/8 X 8	1.25	3,600
28BRG-16CA	5/8 X 10	1.25	3,600
28BRG-17CA	5/8 X 12	1.25	3,600

- Larger Sizes available upon request.



## Load Rated Forged Shoulder Nut Eyebolts

Stock Code	Size Inches	Inside Diameter of Eye - Inches	Working Load Limit @ 90° to Load	Working Load Limit (Pounds) @ Angle		
				75° to Load	60° to Load	45° to Load
28BSH-01CA	1/4 X 2	0.50	550	300	190	135
28BSH-02CA	1/4 X 4	0.50	550	300	190	135
28BSH-03CA	5/16 X 2 1/4	0.62	850	465	295	210
28BSH-04CA	5/16 X 4 1/4	0.62	850	465	295	210
28BSH-05CA	3/8 X 2 1/2	0.75	1,250	685	435	310
28BSH-06CA	3/8 X 4 1/2	0.75	1,250	685	435	310
28BSH-07CA	1/2 X 3 1/4	1.00	2,250	1,235	785	560
28BSH-08CA	1/2 X 6	1.00	2,250	1,235	785	560
28BSH-09CR	5/8 X 4	1.25	3,600	1,980	1,260	900
28BSH-10CR	5/8 X 6	1.25	3,600	1,980	1,260	900
28BSH-11CR	3/4 X 4 1/2	1.50	5,200	2,860	1,820	1,300
28BSH-12CR	3/4 X 6	1.50	5,200	2,860	1,820	1,300

- Larger Sizes available. Do not use for angles less than 45 degrees to load.



## Load Rated Galvanized Forged Eynuts

Stock Code	Tap Size Inches	Size Number	Working Load Limit @ 90° to Load	Working Load Limit (Pounds) @ Angle		
				75° to Load	60° to Load	45° to Load
28NUT-08CA	1/4	1	500	300	190	135
28NUT-10CA	5/16	1A	850	465	295	210
28NUT-12CA	3/8	2	1,250	685	435	310
28NUT-16CA	1/2	3A	2,250	1,235	785	560
28NUT-20CA	5/8	4	3,600	1,980	2,260	900

- Larger sizes available. Do not use for angles greater than 45 degrees to load.



## Gold Chromate Grade 5 NC Redi Rod

Stock Code	Size Inches	Length Inches	Yield Strength	Tensile Strength	Material
28ROD-G5NC08/03	1/4	36	105,000PSI	125,000PSI	4140 Steel
28ROD-G5NC10/03	5/16	36	105,000PSI	125,000PSI	4140 Steel
28ROD-G5NC12/03	3/8	36	105,000PSI	125,000PSI	4140 Steel
28ROD-G5NC16/03	1/2	36	105,000PSI	125,000PSI	4140 Steel
28ROD-G5NC20/03	5/8	36	105,000PSI	125,000PSI	4140 Steel

- Do not use for angles less than 45 degrees to load.



## Tractel Hand Chain Hoists

Stock Code	WLL in Tons	Description	Pounds per Piece
91HND-19709	1/2	10 Feet Hoist	20.28
91HND-19711	1/2	20 Feet hoist	31.09
91HND-19719	1	10 Feet Hoist	28.22
91HHC-19721	1	20 Feet Hoist	40.34
91HND-19729	1 1/2	10 Feet Hoist	43.87
91HND-19739	2	10 Feet Hoist	39.02

- Wesco can assemble chain hoists with any height of lift required. Larger capacities available upon request.



## Tractel Lever Hoists

Stock Code	WLL in Tons	Description	Pounds per Piece
91PUL-00602	1/4	602 CM c/w 5 ft HOL	5.00
91PUL-19669	3/4	Tractel 5ft HOL	16.53
91PUL-19670	3/4	Tractel 10ft HOL	19.40
91PUL-19679	1 1/2	Tractel 5ft HOL	25.35
91PUL-19689	3	Tractel 5ft HOL	46.30



## BC Beam Trolleys & Clamps

Stock Code	WLL in Tons	Flange Width Inches	Description	Weight Pounds per Piece
91BMC-09001	1	3 to 9	Beam Clamp - Black	9
91BMC-09002	2	3 to 9	Beam Clamp - Black	13
91BMC-09003	3	3.2 to 12.6	Beam Clamp - Black	18
91BMC-09004	5	3.6 to 12.2	Beam Clamp - Black	22
91TRL-09284	1/2	2.66 to 8.04	Push Trolley - Black	14
91TRL-09285	1	3 to 8.04	Push Trolley - Black	23
91TRL-09286	1 1/2	3.33 to 8.04	Push Trolley - Black	52
91TRL-09287	2	3.33 to 8.04	Push Trolley - Black	52



## Tractel Beam Trolleys & Clamps

Stock Code	WLL in Tons	Flange Width Inches	Description	Weight Pounds per Piece
91BMC-09001	1	3 to 9.3	Corso Beam Clamp - Blue	10.6
91BMC-09002	2	3 to 9.4	Corso Beam Clamp - Blue	12.3
91BMC-09003	3	3.7 to 13.2	Corso Beam Clamp - Blue	24.0
91BMC-09004	5	3.7 to 13.0	Corso Beam Clamp - Blue	27.1
91TRL-23309	1/2	2 to 8.7	Corso Push Trolley - Blue	18.7
91TRL-23310	1	2.3 to 8.7	Corso Push Trolley - Blue	22.0
91TRL-23311	2	2.6 to 8.7	Corso Push Trolley - Blue	40.0
91TRL-23312	3	2.9 to 8.7	Corso Push Trolley - Blue	71.0



## Tractel Tirfor Winches

Stock Code	WLL Lift	WLL Pull	Description	Weight LBS
44TFR-T508	1,760 lbs	2,750 lbs	T508 Light Duty Tirfor	15
44TFR-TU17	1,760 lbs	2,750 lbs	TU-17 Man Rated Tirfor	19
90SWR-10AB-TFR	N/A	N/A	5/16" Wire Rope 1.5T hook 50ft	13
W61910A1	N/A	N/A	5/16" Wire Rope Extra P/FT	0.18
44TFR-T516	3,500 lbs	5,500 lbs	T516 Light Duty Tirfor	30
44TFR-TU28	3,500 lbs	5,500 lbs	TU-28 Man Rated Tirfor	41
90SWR-14AB-TFR	N/A	N/A	7/16" Wire Rope 3T hook 50ft	27
W61914A1	N/A	N/A	7/16" Wire Rope Extra P/FT	0.44
44TFR-T532	7,000 lbs	11,000 lbs	T532 Light Duty Tirfor	53
44TFR-TU32	7,000 lbs	11,000 lbs	TU-32 Man Rated Tirfor	60
90SWR-20AB-TFR	N/A	N/A	5/8" Wire Rope 5T hook 50ft	42
W61920A1	N/A	N/A	5/8" Wire Rope Extra P/FT	0.69



## Tractel Harnesses

Stock Code	Number	Description	Weight LBS
90SAF-HRNAC032	AC032	Ultra Light Harness Back D Ring	2.0
90SAF-HRNAC730	AC730	Versafit Harness with Side Positioning D Rings	2.9
90SAF-HRNEBA95	EBA95M	Construction Harness with Belt & D Rings	3.3
90SAF-HRNAC132	AC132	Pro Climb Harnesses	4.8

# FIRE VENT CLOSURE WINCH

*Fire Vent Closure Winches solve the unique requirement of closing, testing and releasing spring operated fire vents.*

Fire vents are required in most theatres and in many other multi-story structures. Currently, many fire vents are operated using hand winches or other types of equipment not specifically designed for this use. Testing and resetting fire vents is a difficult challenge. Frequently, vents are not tested as often as they should be. The Fire Vent Closure Winch from Thern is a unique product specifically designed to solve these problems. Thern's FVC-1000 provides a way to securely close fire vents, test and reset as required, and release in the event of a fire.

## KEY BENEFITS:

**Hassle free testing** using the test arm, which releases the band brake and allows the fire vent to spring open without breaking the ETL® (Electro Thermal Link). After testing, the winch is easily operated to close and reset the fire vent.

**Easy to install** in convenient easy to reach locations at stage level, as specified or required by code. The winch can be mounted to a horizontal base or to the wall.

**Innovative design** provides holding tension through an adjustable band brake, connected to an ETL®. In the event of a fire the ETL® is broken and the brake is released, allowing the fire vent to open.



*Model FVC-1000 shown in operating mode with ratchet engaged. Wire rope must be purchased separately.*

**Reliable and secure operation** with solid metal guards to protect key components and help protect against injury. The ETL® access panel can be locked, securing the handle in the stored position, to prevent unauthorized operation.

*The band brake adjusts for wear to provide load holding tension to keep fire vents closed.*



*The test arm is pulled down to release the fire vent doors without breaking the ETL®.*



*The access panel can be locked closed, preventing unauthorized operation.*

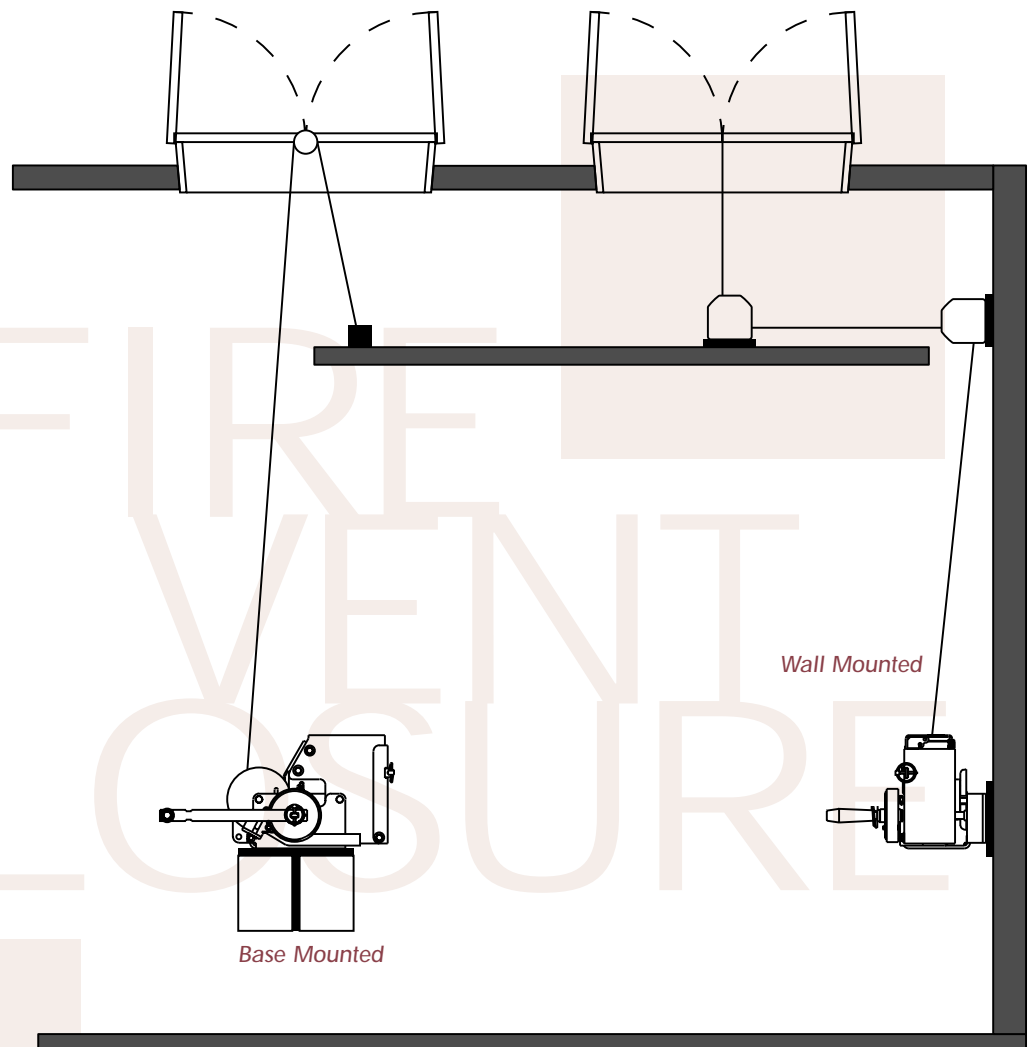


*When fire vent is securely closed the handle is removed and stored in the frame.*

## KEY FEATURES:

- Band brake adjusts for wear to provide adequate braking tension to seal and secure fire vents.
- Spring loaded ratchet provides positive load control for closing fire vents.
- Removable handle stores in frame compartment for security.
- Test arm provides convenient method for testing fire vent operation.
- Designed for use with standard ETL®.
- Hinged access panel locks closed to prevent unauthorized operation.
- Spur gears are machine cut from solid steel for long lasting service.
- Dichromate black plated finish protects against corrosion.
- Bronze and radial ball bearings provide smooth and efficient operation.
- Solid steel gear covers and guard plates protect gears and help prevent injuries.
- Large diameter drum minimizes wire rope wear.
- Designed for horizontal base or wall mounting.
- Two year limited warranty.

## FVC-1000 General Installation



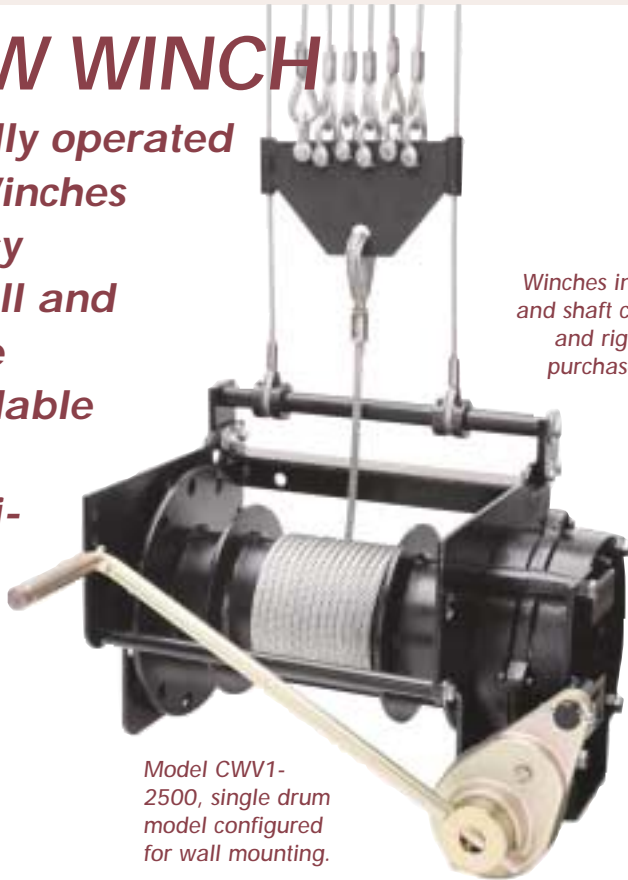
## SPECIFICATIONS

Model	Single Line Load Rating	Double Line Load Rating	Wire Rope Diameter	Single Line Travel Distance	Gear Ratio	Ultimate Design Factor	Brake Holding Torque
FVC-1000	1000lb	2000lb	3/16"	32'	2.85:1	3.5:1	200%

Patent and UL approval pending

## CLEW WINCH

*Manually operated Clew Winches are easy to install and provide dependable control of multi-line loads*



*Model CWV1-2500, single drum model configured for wall mounting.*

*Winches include guide bar and shaft collars. Wire rope and rigging must be purchased separately.*



*Model CWH2-2500, double drum model configured for base mounting.*

Thern Clew Winches provide a convenient method of raising and lowering light and scenery batons, either with or without counterweights. Currently, the industrial hand winches used for this application lack the design and operating characteristics required in theatres. Thern has designed the family of Clew Winches in close consultation with experts from the entertainment industry. Clew Winches provide an elegant solution, with the features required for large and small venues.

### KEY BENEFITS:

**Dependable holding capacity** results from heavy duty construction combined with worm gearing and an automatic Weston style disc brake.

**Easy installation** is accomplished with the built-in wire rope guide bar aligned with the drum. Clew guide wires are anchored to the guide bar and can be infinitely spaced to accommodate clew widths up to 15 inches.

**Designed for long life** with ball and roller bearings, durable paint and plated finishes, and a large 5-9/16 inch diameter drum to help extend the life of the wire rope.

**Flexible designs** can be easily configured for mounting to wall or base, with either a single or double drum. Winches can be field converted for wall or base mounting.



*Large diameter drums with keyhole anchor slots are standard on all Clew Winches.*

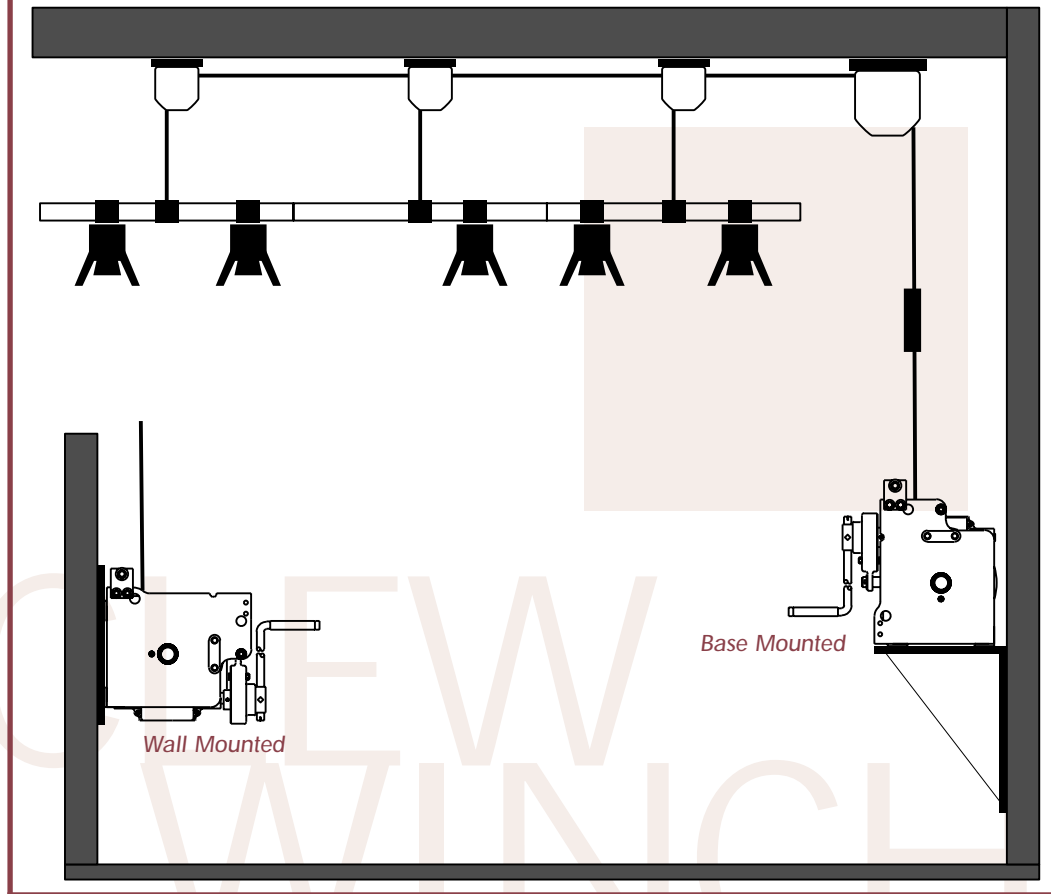


*A load holding lock-out pin secures the drum to the frame for secondary load holding and to prevent unauthorized use.*

## KEY FEATURES:

- Single reduction bronze worm gearing for secure operation.
- Cast iron gear case totally encloses gears in oil or grease for continuous lubrication to minimize wear.
- Oil seals keep lubrication in and dirt out.
- Automatic Weston style brake provides positive load control.
- Large diameter 5-9/16" drum minimizes wire rope wear.
- Key hole anchors for easy attachment of wire rope.
- Guide bar aligned with drum allows infinite positioning of guide ropes to accommodate clews up to 15 inches wide.
- Lock-out pin secures drum to frame in 12 different positions at 30° increments (less than 2 inches of load travel) to provide secondary load holding and prevent unauthorized use.

## CLEW WINCH General Installation



- Bronze bushings on input shaft and drum shaft.
- Ball thrust bearing on the input shaft.
- Welded steel drum and frame with solid steel through-shaft to support the drum.
- Handle adjusts in length to change force required to lift load.
- Winches include guide bar and shaft collars for positioning wire rope guides. Wire rope, clews, and other rigging must be purchased separately.
- Durable satin black enamel paint finish resists corrosion.
- Standard configurations for wall or base installation, and single or double drum rigging.
- Grooved drum option available.
- Two year limited warranty.

## SPECIFICATIONS

Model	No. of Drum Compartments	Wall or Base Mounting	1st Layer Load Rating	1st Layer Load Rating Per Drum	Max. Travel Distance*	Wire Rope Diameter	D/d Ratio	Gear Ratio	Ultimate Design Factor	Brake Holding Torque
CWH1-2500	One	Base	2500lb	2500lb	40'	3/8"	15.7:1	62:2	8:1	800%
CWV1-2500	One	Wall	2500lb	2500lb	40'	3/8"	15.7:1	62:2	8:1	800%
CWH2-2500	Two	Base	2500lb	1250lb	40'	5/16"	19:1	62:2	8:1	800%
CWV2-2500	Two	Wall	2500lb	1250lb	40'	5/16"	19:1	62:2	8:1	800%

\*Up to 70 feet of travel possible. Contact our factory for additional information.

## DRUM WINCH

*The perfect drive component for motorized winch sets combining affordability with quality construction.*



*Model DW2M5-1600-16 Drum Winch for 5 line sets. Wire rope and controls must be purchased separately.*

If a motorized winch set has been on your wish list, but the price of a quality system has scared you away, its time to take a second look. Thern Drum Winches are designed to top quality standards. Unlike other systems, these winches are designed for standardized production, giving you affordability and quality. We also recognized the need many of our customers have for custom modifications, and designed these winches for maximum flexibility.

### KEY BENEFITS:

**Reliable operation** results from heavy duty construction combined with double redundant braking provided by a fail-safe motor mounted disc brake and a secondary over-speed brake mounted directly to the drum shaft.

**Quick delivery** of standard units at an affordable price is achieved through standardized production methods and a modular design that is easily tailored to meet your exact needs.

**Long lasting service** with ball or roller bearings and a large diameter grooved drum to ensure proper winding of the wire rope to extend its life.

**Flexible designs** are easily customized. Changes are easily made to line speeds, load ratings, travel distances, wire rope diameters, D/d ratios, number of lift lines, gear ratios, and more.



*Winches include a secondary centrifugal over-speed brake mounted to the drum shaft.*

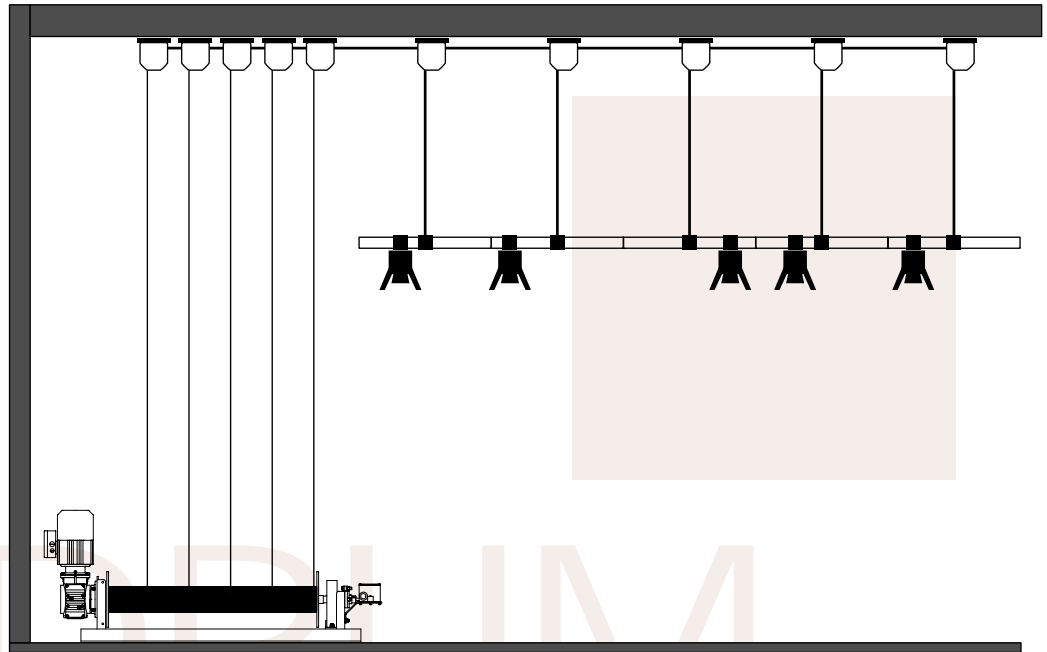


*Large diameter grooved drums with keyhole anchor slots are standard on all Drum Winches.*

## KEY FEATURES:

- Motor is 230/460 volt three phase, 60 cycle, TEFC, reversible, continuous duty.
- Helical/worm gears provide low backdrive efficiency for secure load control.
- Cast iron gearcase totally encloses gears.
- Gears operate in an oil bath for continuous lubrication to minimize wear.
- Double-lip oil seals keep oil in and contaminants out.
- Primary brake is a spring set, electrically released motor mounted disc brake.
- Secondary brake is a centrifugal over-speed brake mounted to the drum shaft with engagement indicator and manual reset.
- Large diameter drums minimize wire rope wear.
- Grooved drum ensures proper winding.

# DRUM WINCH General Installation



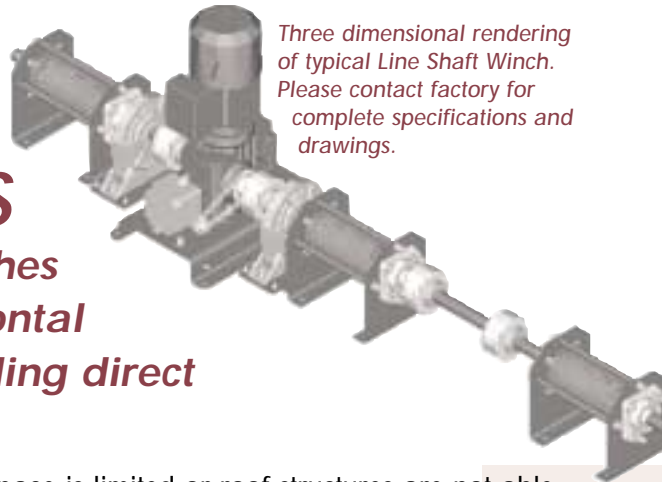
- Key hole anchors for easy attachment of wire ropes.
- Self-aligning flange style ball or roller bearings with cast housing for smooth rotation.
- Welded steel drum with solid steel through-shaft.
- Steel frame captures both ends of drum shaft for added security.
- 4-pole rotary limit switch is pinned to the drum shaft.
- Compatible with variable speed drives.
- Options include: line speed and load rating changes, voltage changes, modified drum widths or diameters, additional wire rope anchors, manual overrides, alternate duty ratings, cable pressure bars.
- Installation options include floor, wall or ceiling.
- Durable satin black enamel paint finish resists corrosion.
- Winches comply with ANSI B30.7.
- Wire rope and controls must be purchased separately.
- Two year limited warranty.

## SPECIFICATIONS

Model	# of Drum Anchors	Motor Horse-Power	Load Rating	Load Rating Per Lift Line	Max. Travel Distance	Wire Rope Diameter	Line Speed (fpm)	D/d Ratio	Total Gear Ratio	Worm Gear Ratio	Gearbox Service Factor	Ultimate Design Factor	Motor Brake Holding Torque	Over Speed Brake Holding Torque
DW2M5-1600-16	5	1hp	1600lb	320lb	40'	3/16"	16	29.3:1	158.45:1	42:1	1.13	8:1	236%	200%
DW2M5-1600-33	5	2hp	1600lb	320lb	40'	3/16"	33	29.3:1	78:1	42:1	1.13	8:1	240%	200%
DW4M8-2500-15	8	1.5hp	2500lb	320lb	40'	1/4"	15	28.6:1	225.26:1	40:1	1.23	8:1	324%	200%
DW4M8-2500-34	8	3hp	2500lb	320lb	40'	1/4"	34	28.6:1	97.14:1	40:1	1.24	8:1	322%	200%

# LINE SHAFT WINCHES

**Line Shaft Winches eliminate horizontal forces by providing direct vertical lifts**



Three dimensional rendering of typical Line Shaft Winch. Please contact factory for complete specifications and drawings.

In situations where floor space is limited or roof structures are not able to support horizontal forces, Thern Line Shaft Winches are the perfect answer. Our Line Shaft Winches are based on a flexible design that is affordable and easy to modify to your specific requirements.

## KEY BENEFITS:

**Reliable operation** results from heavy duty construction combined with redundant braking provided by a fail-safe motor mounted disc brake and secondary over-speed brakes mounted to the drum shafts.

**Long lasting service** with ball or roller bearings and a large diameter grooved drum to ensure proper winding of the wire rope to extend its life.

**Alternate left and right hand** grooving prevents side-to-side travel of the load.

**Flexible designs** are easily customized. Changes are easily made to line speeds, load ratings, travel distances, wire rope diameters, D/d ratios, number of lift lines, gear ratios, and more.

## KEY FEATURES:

- Motor is 230/460 volt three phase, 60 cycle, TEFC, reversible, continuous duty.
- Helical/worm gears provide low backdrive efficiency for secure load control.
- Cast iron gearcase totally encloses gears.
- Gears operate in an oil bath for continuous lubrication to minimize wear.
- Double-lip oil seals keep oil in and contaminants out.
- Primary brake is a spring set, electrically released motor mounted disc brake.
- Secondary brake is a centrifugal over-speed brake mounted to drum shaft with an engagement indicator and manual reset.
- Large diameter drums minimize wire rope wear.
- Grooved drums ensure proper winding. Alternate left and right hand grooving prevents side travel of the load.
- Key hole anchors for easy attachment of wire ropes.
- Self-aligning flange style ball or roller bearings with cast housing for smooth rotation.
- Welded steel drum with solid steel through-shaft.
- Infinite spacing of drums with solid steel shafts machined in lengths up to 20 feet.
- Chain couplers provide easy installation with alignment tolerances of up to 2°.
- Steel frame captures both ends of drum shaft for added security.
- Crossbars on drums prevent wire rope from jumping out of grooves.
- 4-pole rotary limit switch is chain driven by a pinion pinned to the drum shaft.
- Durable satin black enamel paint finish resists corrosion.
- Designed for upright or under-hung installation.
- Options include: line speed and load rating changes, voltage changes, modified drum widths or diameters, additional wire rope anchors, manual overrides, alternate duty ratings, cable pressure bars.
- Compatible with variable speed drives.
- Wire rope and controls must be purchased separately.
- Two year limited warranty.



## Cable & Webbing Pullers

Stock Code	Description	Weight Pounds
44PUL-WB200CA	2 Ton Capacity 4 Feet Web Strap	7
44PUL-WR075CA	1,500 lbs Cable Puller - 12 Feet Draw	7
44PUL-WR150CA	3,000 lbs Cable Puller - 6 Feet Draw	9



## Other Products

Stock Code	Nominal Size	Description
44TB-01	1 Quart	Precision Brand Tool Black
28NUT-16WB	1/2"	Low Profile Galvanized Eye Nut
74REG-BL24/66	3/4" X 66ft	Bestone 350 Tape - Black, Red, Yellow, White, Green & Blue
74REG-BL48/66	1 1/2" X 66ft	Bestone 350 Tape - Black
74CSA-32/66	1" X 66ft	Bestone 331 Cold Weather Tape - Black
83WRN-FRR24	3/4"	Offset Head Ratchet Wrench
83WRN-FRR26	13/16"	Offset Head Ratchet Wrench
83WRN-FRR28	7/8"	Offset Head Ratchet Wrench

- Also available a wide range of Lifting and Rigging Equipment.



## Nicopress Swaging Tools

Stock Code	Size Range	Description	Weight Per Unit
82SW-2930	1/32 - 3/8	Nicopress GO/NO- GO Gauge	0.05 lbs
82SW-32VCVG	1/16 - 3/32	Multi Cavity Hand Swage Tool	2.5 lbs
82SW-63VXPM	1/8 - 3/16	Multi Cavity Hand Swage Tool	6.5 lbs
82SW-64CGMP	1/16 - 5/32	Multi Cavity Hand Swage Tool	6.5 lbs
82SW-3F6950	1/4	Single Cavity Hand Swage Tool	13 lbs
82SW-3G9950	5/16	Single Cavity Hand Swage Tool	13 lbs
82SW-300	N/A	Bench Mount Tool - No Head	19 lbs
82SW-F6950H	1/4	Head Only-Single Cavity 300 Series	4.4 lbs
82SW-3F9950H	5/16	Head Only-Single Cavity 300 Series	4.4 lbs
82SW-3VF6XM	1/8, 3/16, 1/4	Head Only-Single Cavity 300 Series	4.4 lbs

- All tools come complete with Go/No - Go Gauges to check tolerances after swaging.



## Single Cavity Hand Swagers - USA

Stock Code	Size Range	Description	Weight Per Unit
82SW-HS0625N	1/16	Single Cavity Swager	0.50lbs
82SW-HS601	1/4	Single Cavity Swager	6.00lbs
82SW-HS602	5/16	Single Cavity Swager	6.00lbs
82SWY-GG01	1/16 to 3/16	Hand Swager Go Gauges	0.39lbs

- All tools come complete with Go-Gauges to check tolerances after pressing.



## Multi Cavity Swaging Tools - USA

Stock Code	Size Range	Description	Weight Per Unit
82SW-0190NSL	1/16 to 3/16	Multi Cavity Hand Swager	7.00lbs
82SW-HS600N	1/16 to 3/16	Multi Cavity Hand Swager with Light Weight Aluminum Handles	6.50lbs
82SW-BS600	1/16 to 3/16	Multi Cavity Swager Bench Mount Type - Japan	10.00lbs

- All tools come complete with Go-Gauges to check tolerances after pressing.



## H.K Porter Bolt Cutters

Stock Code	Description	Soft/Medium Metal (up to Brinell 300)	Hard Metal (up to Brinell 400)	Weigh Each Pounds
24BL-0090MC	18" Hand Bolt Cutter	3/8"	1/4"	3.50
24BL-0190MC	24" Hand Bolt Cutter	7/16"	5/16"	5.25
24BL-0290MC	30" Hand Bolt Cutter	1/2"	3/8"	8.50
24BL-7190C	21" Bench Mount Bolt Cutter	3/8"	1/4"	8.00

- Manufactured in the USA. Maximum material to be cut 400 Brinell.



## Wire Rope Cutter

Stock Code	Wire Rope Size	Description	Weight Per Unit
24WR-0690TN	3/16"	0690TN HK Porter Cutter	1.00lbs
24WR-WRC009F	1/4"	C9 Felco Cutter	1.63lbs
24WR-WRC012F	3/8"	C12 Felco Cutter	3.00lbs
24WR-WRC016F	5/8"	C16 Felco Cutter	5.00lbs

- Felco Cutters are quality tools manufactured in Switzerland, and will cut wire rope and wire without deformation.

# WESCO

## INDUSTRIES LTD.

[www.wescovan.com](http://www.wescovan.com)

Head Office: Unit 1, 9663-199A Street  
Langley BC V1M 2X7

Phone: 604 881 3000  
Fax: 604 881 3010  
Email: [info@wescovan.com](mailto:info@wescovan.com)

Rigging Centre: 2437 Beta Avenue  
Burnaby BC V5C 5N1

Phone: 604 292 1220  
Fax: 604 292 1222  
Email: [burnaby@wescovan.com](mailto:burnaby@wescovan.com)

### Distributors of:

**Wire Rope & Fittings** - Powerstrand, Esco, Crosby, Campbell.

Wire Rope all types of constructions and diameters, Wire Rope Fittings, Wire Rope Assemblies, Grips, Hooks, & Links.

**Slings** - Powerstrand, Gunnebo, Campbell, Procraft.

Wire Rope, Chain, Webbing, Endless Polyester & Rope.

**Chain & Fittings** - Campbell, Gunnebo - Grabiq, Procraft.

Grade 30, Mooring & Lashing, Grade 70, 80 & 100.

**Hoists & Trolleys** - Columbus Mckinnon, Coffing & Campbell.

Chain Hoists, Lever Hoists, Cummalongs, Electric Hoists, Air Hoists, Winches, Beam Clamps & Trolleys.

**Lifting Equipment** - CM, Merrill, Terrier, Johnson, Rud, Crosby.

Shackles, Hooks, Plate Clamps, Crane Blocks, Eyebolts, Turnbuckles

**Cordage** - Novatec Braid, Samson, Procraft.

Double Braid, 12 Strand, 8 Strand, 3 Strand & Cords.

**Towing & Tie Down** - Procraft, CM, Crosby.

Loadbinders, Straps, Chain & Hooks, & Wire Rope Assemblies.

### Industries Supplied:

Crane, Construction, Logging, Marine, Industrial, Towing, Entertainment, Elevator, Mining, Offshore Oil & Gas, Fishing, Forestry, Utilities, Steel Works & Rigging.



**COOPER** Tools  
**Campbell**

**ProCraft**



**the Crosby** group, inc.

**GUNNEBO**  **JOHNSON** CORPORATION