

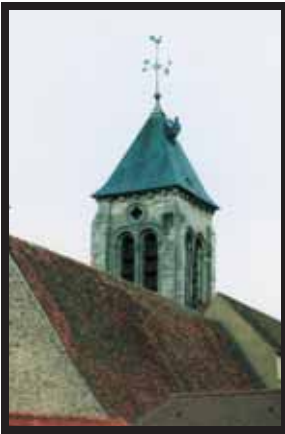
# fallstop®

safety equipment for work at heights



 **Tractel** Ltd.

Fallstop Division



The Tractel Group has been innovating products and services within the material handling, building maintenance, suspended access and fall protection industries for over 50 years. With distribution, sales outlets and manufacturing facilities throughout the world, Tractel represents one of the true leaders in providing solutions for working and establishing safety at heights.



Tractel's Fallstop Division was established in the 1990's to continue the evolution of the company with the objective to manufacture the highest quality products, at the heights standards within the fall arrest industry. With a manufacturing facility in Montreal, Canada, along with numerous warehouse locations, our goal is to provide the finest service to our customers all over North, South and Central America.



Throughout the pages of this catalog, you will find innovative products to match the needs for virtually every work and rescue application. These products have all been tested and approved by an "independent" third party, testing facility with the guarantee of the Tractel name behind it. Whether through research and development, testing or training, our dedicated team of employees strive to build, maintain and support every product with years of experience so that you can rely and depend on us.



Tractel is a proud member of these associations:



# TABLE OF CONTENTS

## Harnesses

Versafit . . . . .	4
Versafit with Frontal Attachment . . .	5
Versafit Ladder . . . . .	5
Versafit Scaffold . . . . .	5
Versafit Reflective . . . . .	5
Construction . . . . .	6
LeGrand Combo . . . . .	6
Ultra-Light . . . . .	7
Kevlar . . . . .	7
X-Style . . . . .	7
TowerPro . . . . .	8
Derrick . . . . .	8
Promast . . . . .	9
Proclimb . . . . .	9

## Accessories

Tracvest . . . . .	10
Shoulder Pads . . . . .	10
Extended D-Ring . . . . .	10
Harness Storage Bag . . . . .	10
Flexible Lifeline Counterweight . . .	10

## Belts

Tool Belts . . . . .	10
Back Padded . . . . .	10
Padded . . . . .	10

## Lanyards

Tracpac Lightweight Web . . . . .	11
Tracpac High-Abrasion Web . . .	11-12
Tracpac Extendible . . . . .	13
Tracpac 3/8-in. (16 mm) Rope . . . .	13
Tracpac Shock Absorber . . . . .	13
Stretchfor . . . . .	14
Extendfor . . . . .	14
Tracpac Kevlar Webbing . . . . .	15
Tracpac Wire Rope . . . . .	15
Tracpac Self-Retracting Lanyard . .	15
High-Abrasion Web Lanyard . . . .	16
Rope Lanyard . . . . .	16
Work Positioning Assemblies . . . .	16

## Connectors

Connectors for Lanyards . . . . .	17
-----------------------------------	----

## Anchorage Connectors

Anchor Slings . . . . .	18
Sling Choker . . . . .	18
Anchorage Connector . . . . .	18
Wire Rope Slings . . . . .	18
Anchor Straps . . . . .	18
Endless Slings . . . . .	18
Anchorage Connector . . . . .	18
Beam Clamp . . . . .	19
Beam Trolley . . . . .	19
BeamSlide . . . . .	19
Ringsafe . . . . .	19
Anchorage D-rings . . . . .	19
Door Anchor Bar . . . . .	19
Splice-Safe . . . . .	19
EZE-Hook . . . . .	19
First Man Up Hook . . . . .	19

## Rope Grabs

Stopfor® . . . . .	20-21
Gripgrab® . . . . .	21
Wire Rope Grabs . . . . .	21

## Lifelines

Polyblend Lifelines . . . . .	21
Superline Lifelines . . . . .	21
Kernmantle Lifelines . . . . .	21

## Self-Retracting Lifelines

Blocfor® . . . . .	22
10 ft. (3 m) Self-Retracting Web Lanyard with Cover . . . . .	22

## Load Arrestors

Blocmat . . . . .	23
-------------------	----

## Fall Protection Kits

Aerial Lift Kit . . . . .	24
Basic Fall Protection Kit . . . . .	24
Scaffolding/Forming Kit . . . . .	24
100% Tie Off Kit . . . . .	24

## Roofers Kits

Quik-Mount® . . . . .	24
Reusable Roofing Anchor . . . . .	24
Heavy-Duty Hinged D-ring Roof Anchor . . . . .	24
Roof Anchors . . . . .	25

## Controlled-Descent Systems

Derope Systems . . . . .	26-27
Ascent/Descent System . . . . .	28
D4 Descender . . . . .	28
Left & Right Hand Ascenders . . . .	28
Sternal Ascent Locking Device . . . .	28
Tower Climber's Basic System . . . .	29
Tower Climber's Deluxe System . . .	29
Bags . . . . .	29
Victim Transfer Pulley . . . . .	29
Evacuation Seat . . . . .	29
Suspension Loop . . . . .	29

## Confined-Space Systems

Standard Systems . . . . .	30
Tracpode Rescue Systems . . . . .	30
Motorized Systems . . . . .	30
Standard Tripods . . . . .	31
Tracpode Rescue Tripods . . . . .	31
Steel Head Pulley . . . . .	31
Leg-Mounting Bracket . . . . .	31
Work Winches . . . . .	31
Blocfor® Bi-Directional Retrieval Lifelines . . . . .	31
Spreader Bar . . . . .	31
Bosun's Chair . . . . .	31
Carrying Bag for Tripod . . . . .	31

## Pulleys

Pulleys . . . . .	32
Rigging Plate . . . . .	32
Edge Roller . . . . .	32

## Horizontal Lifelines Systems

Stanchion . . . . .	33
Davit Arms . . . . .	33
Tirsafe™ . . . . .	34
Fallprotec . . . . .	35
Travsafes® Tempo . . . . .	35
Travspring™ . . . . .	36-37
Travsafes® . . . . .	38-39
Travflex® . . . . .	40-41

## Ladder Safety Systems

Stopcable – Standard . . . . .	42
Stopcable – Extended . . . . .	42
Servo Climb Assist . . . . .	42

## Tieback Anchors

U-Bar . . . . .	43
Wall Mounted . . . . .	43

# VERSAFIT

## FEATURES

- Single back D-ring
- ◊ Adjustable sub-pelvic strap
- ◊ Seven-point adjustment
- Spring-loaded adjuster buckle
- Adjustable back D-ring
- Adjustable chest strap
- ◊ Lanyard retaining clips on both shoulder straps
- ◊ Fall indicators / inspection tag / serial number
- Accommodates tool belt up to four inches wide

◊ *Exclusive feature*

## SIZES

- Small, one-size, X-large and XX-large



## TONGUE & BUCKLE



BACK VIEW



## QUICK CONNECT

AC732 (shown)



AC742



- Side positioning D-rings

AC7122



- Side D-rings
- Frontal attachment

## TONGUE & BUCKLE

AD732



AD742 (shown)



- Side positioning D-rings

AD7122



- Side D-rings
- Frontal attachment

## QUICK CONNECT





## FRONTAL ATTACHMENT

AC762 (shown)



- Quick-Connect legs
- Back D-ring
- Frontal attachment

AD762



- Tongue & Buckle legs
- Back D-ring
- Frontal attachment



## LADDER

AC722 (shown)



- Quick-Connect legs
- Back D-ring
- Upper sternum D-ring
- Fixed chest strap

AD722



- Tongue & Buckle legs
- Back D-ring
- Upper sternum D-ring
- Fixed chest strap



## SCAFFOLD

AC732/D (shown)



- Quick-Connect legs
- Back D-ring
- ◊ Integrated shoulder pads
- Fixed chest strap

AD732/D



- Tongue & Buckle legs
- Back D-ring
- ◊ Integrated shoulder pads
- Fixed chest strap

◊ *Exclusive feature*



## REFLECTIVE

AC3316 (shown)



- Quick-Connect legs
- Back D-ring
- 3M reflective bands

AD3316



- Tongue & Buckle legs
- Back D-ring
- 3M reflective bands

# CONSTRUCTION

## FEATURES

- ◇ Adjustable sub-pelvic strap
- ◇ Seven-point adjustment
- Spring loaded adjuster buckle
- Adjustable back D-ring
- Adjustable chest strap
- ◇ Lanyard retaining clips on both shoulder straps
- Integrated shoulder pads
- ◇ Fall indicators / inspection tag / serial number
- Padded back support
- Removable tool belt accommodates pouches

◇ *Exclusive feature*

## SIZES

- Small, medium, large, X-large and XX-large



EBB95L



- Tongue & Buckle legs
- Tool belt
- Side-positioning D-rings

# LE GRAND COMBO **NEW!**

## FEATURES

- Accommodates weight range from 200 to 380 lbs. (90 to 172 kg)
- Sewn Strechfor integral 4½ to 6 ft. (1.4 to 1.8 m) shock-absorbing lanyard
- Maximum arrest force: 1,350 lbs. (6 kN)
- Five-point adjustment
- Adjustable back D-ring
- Adjustable chest strap
- ◇ Lanyard retaining clips on both shoulder straps
- ◇ Harness and lanyard fall indicators / inspection tag / serial number

◇ *Exclusive feature*

## SIZES

- XX-large and XXX-large



EQ56GXXL



- Quick-Connect legs
- ¾-in. (19 mm) self-locking snap hook



# ULTRA-LIGHT

## FEATURES

- Integrated sub-pelvic strap
- Five-point adjustment
- Adjustable back D-ring
- Adjustable chest strap
- Accommodates tool belt up to four inches wide
- ◊ Inspection tag / serial number

◊ *Exclusive feature*

## SIZES

- Small, one-size, X-large and XX-large



## QUICK-CONNECT

AC032 (shown)



AC042



- Side-positioning D-rings

AC052



- Shoulder retrieval D-rings

AC072



- Side-positioning D-rings
- Shoulder retrieval D-rings

## TONGUE & BUCKLE

AD032



AD042



- Side-positioning D-rings

AD052



- Shoulder retrieval D-rings

AD072



- Side-positioning D-rings
- Shoulder retrieval D-rings

# KEVLAR



ACK03



- Quick-Connect legs

ACK04 (shown)



- Quick-Connect legs
- Side-positioning D-rings

## SIZES

- Small, one-size and X-large

# X-STYLE



AC532



- Quick-Connect legs

AD532



- Tongue & Buckle legs

AC542



- Quick-Connect legs
- Side-positioning D-rings

AD542 (shown)



- Tongue & Buckle legs
- Side-positioning D-rings

## SIZES

- Small, one-size, X-large and XX-large



Suspension/Descent  
CSA Group D



Fall Arrest  
CSA Group A



Ladder Climbing  
CSA Group L



Positioning  
CSA Group P



Restraint



Retrieval  
CSA Group E

# TOWERPRO

## FEATURES

- ◇ Adjustable sub-pelvic strap
- ◇ Seven-point adjustment
- ◇ Adjustable chest strap assembly
  - Fixed chest strap with sternum D-ring
  - Retaining spring-adjuster buckle
- Padded back support with side D-rings
- Removable tool belt accommodates pouches
- Padded leg straps
- ◇ Lanyard retaining clips on both shoulder straps
- ◇ Lanyard arm-positioning system
- ◇ Fall indicators / inspection tag / serial number

◇ *Exclusive feature*

## SIZES

- Small, medium, large, X-large and XX-large



BACK VIEW

## FBBL/SAD (shown)



- Tongue & Buckle legs
- Detachable rigid Pro-seat saddle

## FBBL



- Tongue & Buckle legs

## XSAD1

- Rigid Pro-seat saddle for harness
- Detachable

# DERRICK

## FEATURES

- Tongue & Buckle legs
- ◇ Adjustable sub-pelvic strap
- ◇ Seven-point adjustment
- Back restraint D-ring
- Adjustable chest strap
- ◇ Lanyard retaining clips on both shoulder straps
- ◇ Fall indicators / inspection tag / serial number
- Wide back support with rear attachment
- Abdominal support
- Incorporates saddle

◇ *Exclusive feature*

## SIZES

- Small, medium, large, X-large and XX-large



BACK VIEW

## EHB02RL



- 2-ft. shock absorber

## EHBF02RL (shown)



- 2-ft. shock absorber
- Frontal attachment

# PROMAST

**IMPROVED DESIGN**

## FEATURES

- ◇ Step-in leg design
- ◇ Auto-buckle chest and leg straps
- ◇ Pull-down adjuster buckles
- ◇ Sternum and waist D-rings attachment
- Padded back support with side D-rings
- Removable tool belt accommodates pouches
- Integrated shoulder pads
- Padded leg straps
- Side tool loops
- ◇ Lanyard retaining clips on both shoulders
- ◇ Lanyard arm retaining system
- ◇ Fall indicators / inspection tag / serial number

◇ *Exclusive feature*

## SIZES

- Small, medium, large, X-large and XX-large



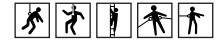
BACK VIEW

## AC102L (shown)



- Promast harness

## AC1052L



- Shoulder retrieval D-rings

## XSAD1

- Rigid Pro-seat saddle for harness
- Detachable



Pro-seat saddle

# PROCLIMB

**IMPROVED DESIGN**

## FEATURES

- ◇ Step-in leg design
- ◇ Auto-buckle leg straps
- ◇ Pull-down adjuster buckles
- Waist D-ring attachment
- Padded back support with side D-rings
- Removable tool belt accommodates pouches
- Integrated shoulder pads
- Padded leg straps
- Side tool loops
- ◇ Lanyard retaining clips on both shoulders
- ◇ Lanyard arm retaining system
- ◇ Fall indicators / inspection tag / serial number

◇ *Exclusive feature*

## SIZES

- Small, one size, X-large and XX-large



BACK VIEW

## AC132 (shown)



- Proclimb harness

## XSAD1

- Rigid Pro-seat saddle for harness
- Detachable



Pro-seat saddle

# ACCESSORIES



## Tracvest

### XVEST02

- Lightweight mesh outer
- Breathable inner liner snaps apart to accommodate harness
- Reflective stripping front and back
- Side storage pockets
- Lanyard retaining clip
- D-ring extender keeper
- Washable
- Sizes: one size and x-large



## Shoulder Pads

### XSPAD

- Compatible with all Fallstop® harnesses
- Easy to install and remove



## Extended D-Ring

### XW2R

- Compatible with all Fallstop® harnesses
- Easy pass-through design



## Harness Storage Bag

- 11 x 16 in. (28 x 40 cm)

### XB11116 (shown)

- Lightweight

### XB11163

- Heavy duty

## Flexible Lifeline Counterweight

### XCTW01 (shown)

- 1½ lbs. (0.7 kg)

### XCTW02

- 3 lbs. (1.4 kg)



# BELTS

## SIZES

- Small, medium, large, X-large and XX-large



## Tool Belts

- 1¾ in. (45 mm) wide
- Polyester webbing
- Tongue & Buckle

### BD832L (shown)

- Belt only (no D-ring)

### BD842L

- Back restraint D-ring

### BD852L

- Side-positioning D-rings



## Back Padded Belts

- 4 in. (102 mm) wide
- Polyester webbing
- Tongue & Buckle

### BD032L

- Belt only (no D-ring)

### BD042L

- Back restraint D-ring

### BD052L (shown)

- Side-positioning D-rings



## Padded Belts

- 4 in. (102 mm) wide
- Thermal-formed padded back support
- Tongue & Buckle

### BD932L

- Belt only (no D-ring)

### BD942L

- Back restraint D-ring

### BD952L (shown)

- Side-positioning D-rings

# TRACPAC LIGHTWEIGHT WEB

## SHOCK-ABSORBING LANYARD

6 FT. X 1 IN. (1.8 M X 25 MM) WEB



C1106G



C1126U

### C1106G

- ¾ in. (19 mm) self-locking snap hook both ends

### C1106A

- ¾ in. (19 mm) self-locking snap hook at shock-pack
- 1½ in. (41 mm) self-locking snap hook at the other end

### C1106U

- ¾ in. (19 mm) self-locking snap hook at shock-pack
- 2¼ in. (57 mm) self-locking snap hook at the other end

### C1126G

- Two arms
- ¾ in. (19 mm) self-locking snap hook all ends

### C1126A

- Two arms
- ¾ in. (19 mm) self-locking snap hook at shock-pack
- 1½ in. (41 mm) self-locking snap hook at the other end

### C1126U

- Two arms
- ¾ in. (19 mm) self-locking snap hook at shock-pack
- 2¼ in. (57 mm) self-locking snap hooks at the other end

# TRACPAC HIGH-ABRASION WEB

## SHOCK-ABSORBING LANYARD

6 FT. X 1 IN. (1.8 M X 25 MM) WEB



C106G



C106C



C106U



C106GZ



C196G

### C106G

- ¾ in. (19 mm) self-locking snap hook both ends

### C106C

- ¾ in. (19 mm) self-locking snap hook at shock-pack
- 5,000 lbs. (22.2 kN) all direction carabiner at the other end

### C106A

- ¾ in. (19 mm) self-locking snap hook at shock-pack
- 1½ in. (41 mm) self-locking snap hook at the other end

### C106U

- ¾ in. (19 mm) self-locking snap hook at shock-pack
- 2¼ in. (57 mm) self-locking snap hook at the other end

### C106GZ

- ¾ in. (19 mm) self-locking snap hook both ends
- Tie-back

### C196G

- Adjustable
- ¾ in. (19 mm) self-locking snap hook both ends

### C196GZ

- Adjustable
- ¾ in. (19 mm) self-locking snap hook both ends
- Tie-back

# TRACPAC HIGH-ABRASION WEB

## SHOCK-ABSORBING LANYARD

6 FT. X 1 IN. (1.8 M X 25 MM) WEB



C126G



C126C



C126U



C126GZ



C186G

### C126G

- Two arms
- 3/4 in. (19 mm) self-locking snap hook all ends

### C126C

- Two arms
- 3/4 in. (19 mm) self-locking snap hook at shock-pack
- 5,000 lbs. (22.2 kN) all direction carabiner at the other ends

### C126A

- Two arms
- 3/4 in. (19 mm) self-locking snap hook at shock-pack
- 1 1/2 in. (41 mm) self-locking snap hook at the other end

### C126U

- Two arms
- 3/4 in. (19 mm) self-locking snap hook at shock-pack
- 2 1/4 in. (57 mm) self-locking snap hooks at the other ends

### C126GZ

- Two arms
- 3/4 in. (19 mm) self-locking snap hook all ends
- Tie-back

### C126UZ

- Two arms
- 3/4 in. (19 mm) self-locking snap hook at shock-pack
- 2 1/4 in. (57 mm) self-locking snap hooks at the other ends
- Tie-back

### C186G

- Adjustable
- Two arms
- 3/4 in. (19 mm) self-locking snap hook all ends

### C186GZ

- Adjustable
- Two arms
- 3/4 in. (19 mm) self-locking snap hook all ends
- Tie-back

### C186UZ

- Adjustable
- Two arms
- 3/4 in. (19 mm) self-locking snap hook at shock-pack
- 2 1/4 in. (57 mm) self-locking snap hooks at the other ends
- Tie-back

# TRACPAC EXTENDIBLE

## SHOCK-ABSORBING LANYARD

4½ TO 6 FT. (1.4 TO 1.8 M) EXTENDIBLE LANYARD



C206G

### C206G

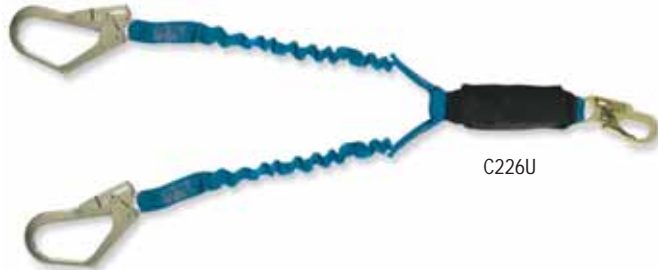
- ¾ in. (19 mm) self-locking snap hook all ends

### C206A

- ¾ in. (19 mm) self-locking snap hook at shock-pack
- 1½ in. (41 mm) self-locking snap hook at the other end

### C206U

- ¾ in. (19 mm) self-locking snap hook at shock-pack
- 2¼ in. (57 mm) self-locking snap hook at the other end



C226U

### C226G

- Two arms
- ¾ in. (19 mm) self-locking snap hook all ends

### C226A

- Two arms
- ¾ in. (19 mm) self-locking snap hook at shock-pack
- 1½ in. (41 mm) self-locking snap hook at the other end

### C226U

- Two arms
- ¾ in. (19 mm) self-locking snap hook at shock-pack
- 2¼ in. (57 mm) self-locking snap hooks at the other ends

### C226PM

- Two arms
- ¾ in. (19 mm) self-locking snap hook at shock-pack
- 2½ in. (64 mm) aluminium self-locking snap hooks at the other ends

# TRACPAC 5/8-IN. ROPE

## SHOCK-ABSORBING LANYARD

6 FT. X 5/8 IN. (1.8 M X 16 MM) ROPE



C806G

### C806G

- ¾ in. (19 mm) self-locking snap hook all ends

### C806A

- ¾ in. (19 mm) self-locking snap hook at shock-pack
- 1½ in. (41 mm) self-locking snap hook at the other end

### C806U

- ¾ in. (19 mm) self-locking snap hook at shock-pack
- 2¼ in. (57 mm) self-locking snap hooks at the other ends

# TRACPAC SHOCK ABSORBER



C002RG

### C002RG

- 20 in. (50 cm) shock absorber
- One D-ring and one ¾ in. (19 mm) self-locking snap hook

# STRETCHFOR

## INTEGRAL SHOCK-ABSORBING LANYARD WITH FALL INDICATOR WEB STRETCHABLE FROM 4½ TO 6 FT. (1.4 TO 1.8 M)



C506G

### C506G

- ¾ in. (19 mm) self-locking snap hook both ends



C526U

### C506A

- ¾ in. (19 mm) self-locking snap hook at shock end
- 1½ in. (41 mm) self-locking snap hook at the other end

### C506U

- ¾ in. (19 mm) self-locking snap hook at shock end
- 2¼ in. (57 mm) self-locking snap hook at the other end

### C526G

- Two arms
- ¾ in. (19 mm) self-locking snap hook all ends

### C526A

- Two arms
- ¾ in. (19 mm) self-locking snap hook at shock end
- 1½ in. (41 mm) self-locking snap hook at the other end

### C526U

- Two arms
- ¾ in. (19 mm) self-locking snap hook at shock end
- 2¼ in. (57 mm) self-locking snap hooks at the other ends

# EXTENDFOR

## INTEGRAL SHOCK-ABSORBING LANYARD WITH FALL INDICATOR 6 FT. (1.8 M) LANYARD



C706G

### C706G

- ¾ in. (19 mm) self-locking snap hook both ends

### C706A

- ¾ in. (19 mm) self-locking snap hook at shock end
- 1½ in. (41 mm) self-locking snap hook at the other end

### C706U

- ¾ in. (19 mm) self-locking snap hook at shock end
- 2¼ in. (57 mm) self-locking snap hook at the other end



C726G

### C726G

- Two arms
- ¾ in. (19 mm) self-locking snap hook all ends

### C726A

- Two arms
- ¾ in. (19 mm) self-locking snap hook at shock end
- 1½ in. (41 mm) self-locking snap hook at the other end

### C726U

- Two arms
- ¾ in. (19 mm) self-locking snap hook at shock end
- 2¼ in. (57 mm) self-locking snap hooks at the other ends

# TRACPAC KEVLAR WEBBING

## SHOCK-ABSORBING LANYARD



COK6G

### COK6G

- 6 ft. x 1 3/4 in. (1.8 m x 45 mm) fire retardant webbing
- Shock absorber covered with fire retardant material
- 3/4 in. (19 mm) self-locking snap hook both ends

### CK906G

- 6 ft. x 1/4 in. (1.8 m x 6 mm) vinyl covered wire rope lanyard
- Shock absorber covered with fire retardant material
- 3/4 in. (19 mm) self-locking snap hook both ends

# TRACPAC WIRE ROPE

## SHOCK-ABSORBING LANYARD



C306G

### C306G

- 6 ft. x 1/4 in. (1.8 m x 6 mm) vinyl covered wire rope lanyard
- Shock absorber
- 3/4 in. (19 mm) self-locking snap hook both ends

### C326G

- Two arms
- 6 ft. x 1/4 in. (1.8 m x 6 mm) vinyl covered wire rope lanyard
- Shock absorber
- 3/4 in. (19 mm) self-locking snap hook all ends

### C906G

- *For work positioning only*
- 6 ft. x 1/4 in. (1.8 m x 6 mm) vinyl covered wire rope lanyard
- 3/4 in. (19 mm) self-locking snap hook both ends

**NEW!**

# TRACPAC

## SELF-RETRACTING LANYARD

This combination shock absorber offers the "tear out" absorption principle of the standard Tracpac with that of a retractable lifeline. The lightweight self-retracting lanyard is permanently attached to the soft pack giving it greater flexibility while at the same time allowing for full 6 ft. (1.8 m) of travel.



C0560

### C0560

- 6 ft. (1.8 m) self-retracting lanyard
- Shock-absorbing lanyard
- 3/4-in. (19 mm) locking swivel snap hook both ends

# HIGH-ABRASION WEB LANYARD

6-FT. X 1-IN. (1.8 M X 25 MM) WEB



C606G

## C606G

- ¾ in. (19 mm) self-locking snap hook both ends

## C606A

- ¾ in. (19 mm) self-locking snap hook one end
- 1½ in. (41 mm) self-locking snap hook at the other end

## C606U

- ¾ in. (19 mm) self-locking snap hook one end
- 2¼ in. (57 mm) self-locking snap hook at the other end

## C696G

- Adjustable
- ¾ in. (19 mm) self-locking snap hook both ends

# ROPE LANYARD

6 FT. X 5/8 IN. (1.8 M X 16 MM) ROPE



C406G

## C406G

- ¾ in. (19 mm) self-locking snap hook both ends

## C406A

- ¾ in. (19 mm) self-locking snap hook one end
- 1½ in. (41 mm) self-locking snap hook at the other end

## C406U

- ¾ in. (19 mm) self-locking snap hook one end
- 2¼ in. (57 mm) self-locking snap hook at the other end



C496G

## C496G

- Adjustable
- ¾ in. (19 mm) self-locking snap hook both ends

# WORK-POSITIONING ASSEMBLIES



## Adjustfor

Work-positioning rope lanyard

### CSP1560

- 6-ft. x ¾-in. (1.8 m x 16 mm) lanyard
- Quick adjustment with one-hand operation and friction-bend positioning
- Abrasion-resistant sleeve
- Lightweight



## Rebar Chain Assembly

### V61WE

- 2¼ in. (57 mm) with swivel link hook
- Swivel assembly
- All self-locking hooks
- Overall length: 25 in. (63.5 cm)



## Posi-hook

Tower-positioning system

### V2238

- With 2¼-in. (57 mm) swivel hook
- All self-locking hooks
- Lightweight assembly
- No chain, webbing or connection hardware



## Spreader Bar

**NEW!**

### V6652

- Forged steel auto-locking snap hooks
- 8-in. (20 cm) width between hooks

# CONNECTORS FOR LANYARDS

All lanyards come standard with 3/4-in. (19 mm) die-cut steel self-locking snap hook (#45000 – G) at each end.  
Choose your connector in the list below by changing the last letter by the one into brackets.



45000 (G)

- Die-cut steel
- 3/4-in. (19 mm) opening



44651 (V)

- Forged steel
- 3/4-in. (19 mm) opening
- Swivel
- Visual fall indicator



44650 (W)

- Forged steel
- 3/4-in. (19 mm) opening
- Swivel



435013 (P)

- Aluminium
- 3/4-in. (19 mm) opening

**NEW!**



4033032 (O)

- Die-cut steel
- 3/4-in. (20 mm) opening
- Swivel



43100 (U)

- Die-cut steel
- 2 1/4-in. (57 mm) opening



43200 (A)

- Die-cut steel
- 1 1/2-in. (41 mm) opening



45960 (M)

- Aluminium
- 2 1/2-in. (64 mm) opening



**NEW!**

4032462 (M5)

- Aluminium
- 4 1/4-in. (110 mm) opening



P4333 (C)

- Forged steel
- 5/8-in. (16 mm) opening
- Breaking strength: 10,000 lbs. (44.4 kN)
- 5,000-lbs. (22.2 kN) gate



PM11 (C1)

- Alloy steel
- 3/8-in. (19 mm) opening
- Breaking strength: 5,000 lbs. (22.2 kN)

**NEW!**



P773 (Q)

- Alloy steel
- 1-in. (25 mm) opening
- Breaking strength: 10,000 lbs. (44.4 kN)
- Captive eye pin included



P307 (T)

- Alloy steel
- 2-in. (50 mm) opening
- Breaking strength: 9,000 lbs. (40 kN)
- Captive eye pin included



P407 (TT)

- Alloy steel
- 2 1/2-in. (53 mm) opening
- Breaking strength: 7,200 lbs. (32 kN)
- Captive eye pin included

## Wire Form Connector

- Stainless steel
- Rated 5,000 lbs. (22.2 kN)

V4212 (J1) (shown)

- 2 1/2 in. (73 mm) opening

V4214 (J3)

- 5 1/2 in. (140 mm) opening



# ANCHORAGE CONNECTORS



## Anchor Slings

- Pass-through D-ring
- Rated 5,000 lbs. (22.2 kN)
- Made of polyester webbing
- Heavy duty back pad

### V4136

- 15-in. (0.4 m) length

### V4135 (shown)

- 3-ft. (0.9 m) length

### V4165

- 6-ft. (1.8 m) length



## Sling Choker

- Rated 5,000 lbs. (22.2 kN)
- Made of polyester webbing

### V4115

- 15-in. (0.4 m) length

## Anchor Connector

The purpose of the shock absorber is to lower the impact forces caused by the fall

- Made of a 1¼-in. (45 mm) lightweight continuous web
- Shock absorber covered with a tubular sleeve
- 2¼-in. (57 mm) snap hook
- D-ring connector

### V41PRE

- Anchor connector



V4172

## Wire Rope Slings

- 6 ft. x ¼ in. (1.8 m x 6 mm)
- Vinyl covered

### V4172

- Wire rope sling

### V41906

- ¾-in. (19 mm) self-locking snap hook
- O-ring



V41906



## Anchor Straps

- Rated 5,000 lbs. (22.2 kN)
- Made of nylon webbing
- 3½ ft. (1.1 m)

### V41803

- For structural member
- With loop

### V41813 (shown)

- For structural member
- D-ring

### V41823

- For rebar steel
- Protective sleeve
- Loop

### V41833

- For rebar steel
- Protective sleeve
- D-ring



## Endless Slings

### V41321

- 18-in. (0.5 m) endless sling

### V41323 (shown)

- 3-ft. (0.9 m) endless sling

### V41326

- 6-ft. (1.8 m) endless sling



## Anchor Connector

### 45396

- 2½-in. (64 mm) opening
- Forged steel
- Attachment D-ring

# ANCHORAGE CONNECTORS



## Beam Clamp

V5009

- Fits I-beam from 3 to 9 $\frac{1}{4}$  in. (76 to 235 mm)
- Screw-down adjustment



## Beam Trolley

V5019

- Fits I-beam from 2 $\frac{1}{16}$  to 8 $\frac{1}{16}$  in. (59 to 220 mm)
- Screw-down adjustment
- Locking nut



## BeamSlide

Sliding beam anchor

V5002

- Fits I-beam from 4 to 14 in. (100 to 355 mm)
- Autolocking positioning knob
- Steel rollers allow for smooth travel.

## Ringsafe

Permanent anchor point with built-in fall indicator

V076299

- With  $\frac{3}{8}$  in. (19 mm) autolocking carabiner
- Breaking strength: 5,000 lbs. (22.2 kN)
- Lightweight, sleek profile
- Easy to install, inspect and maintain



## Anchorage D-Rings

V4230 (shown)

- Screw type
- $\frac{1}{2}$ -in. (13 mm) N.C. 13 thread

V4232\*

- Clearance hole for  $\frac{1}{2}$ -in. (13 mm) bolt

V4238\*

- Clearance hole for  $\frac{5}{8}$ -in. (16 mm) bolt

\* attachment connectors not supplied



## Door Anchor Bar

**NEW!**

V62217SA

- Door or window anchor point
- Very fast and easy to set up
- Up to 43 in. (1.1 m) wide
- Shock-pack included



## Splice-Safe

Complies with 5,000 lb. (22.2 kN) minimum strength rating without an eye splice.

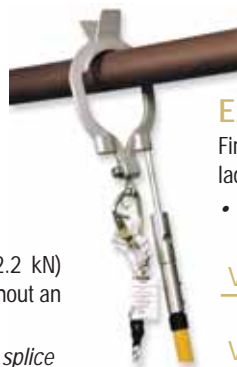
- Provides field termination splice
- Use on 3-strand  $\frac{3}{8}$ -in. (16 mm) rope
- Lightweight and re-usable

V4260C1 (shown)

- With PM11 carabiner

V4260

- Without carabiner



## EZE-Hook

First man-up system, ideal for climbing ladders and towers.

- Available with hand grip or telescopic poles

V30A (shown)

- With pole adapter

V30U

- With universal electrical pole adapter

V1816A

- Fiberglass pole 8 to 16 ft. (2.4 to 4.9 m)

V1824A

- Fiberglass pole 8 to 24 ft. (2.4 to 7.3 m)



**NEW!**

## First Man Up Hook

Ideal for specialized high reach anchor placement.

- Fiberglass pole
- With adapter for hook assembly
- Pole weight: 5.9 lbs. (2.69 kg)

V3106117 (shown)

- First man up remote hook

V1106697 (shown)

- Fiberglass pole
- Extends from 8 to 20 ft. (2.4 to 6 m)

# STOPFOR® ROPE GRABS



WA58



WA58P



WA58R



Stopfor® S



Stopfor® M

## FEATURES

- Spring loaded cam locking system
- Gravity washer to prevent upside down installation
- Easy hinge loading anywhere on lifeline
- Stainless steel construction
- 5/8-in. (16 mm) three-strand rope diameter

## Stopfor® A Advanced Trailing Rope Grabs

Features an independent triggering stop that provides a back up braking system. In the event of a fall, speed activated teeth will force the foot to engage on the rope. This new braking system also ensures that the rope grab will lock on the lifeline even if the cam lever is held beyond its non-engaged position.

### WA58

- Dual braking system

### WA58P

- Manual park feature

### WA58R

- 2 1/4-in. (54 mm) attachment ring

## Stopfor® S Trailing Rope Grab

This lightweight, anticorrosive design features an independent roller that allows the grab to travel freely on the rope. The spring loaded cam locking system insures that the grab engages during a fall.

### D5812G (shown)

- 2 ft. x 1-in. (0,6 m x 25 mm) shock absorber as required by CSA
- 3/4-in. (19 mm) self-locking snap hook

### D5862G

- 2-ft. (0,6 m) web as required by CSA
- 3/4-in. (19 mm) self-locking snap hook



## Stopfor® M Manual Rope Adjuster

The Stopfor® M is a rope adjuster that is specially designed to protect workers from falling when working on a sloping plane, such as roofs. It can also be incorporated into a travel restraint or a work positioning system.

### D5M12G (shown)

- 2 ft. x 1-in. (0,6 m x 25 mm) shock absorber as required by CSA
- 3/4-in. (19 mm) self-locking snap hook

### D5M62G

- 2-ft. (0,6 m) web as required by CSA
- 3/4-in. (19 mm) self-locking snap hook



# ROPE GRABS

## Wire Rope Grab

The wire rope grab is meant to be incorporated in a personal fall protection system where synthetic lifelines would degrade due to the chemical, abrasive or high heat conditions.

### D51612G

- Gravity lever prevents upside down installation
- Used on  $\frac{3}{16}$  in. (8 mm) diameter wire rope
- 2 ft. x 1-in. (0,6 m x 25 mm) shock absorber
- $\frac{3}{4}$ -in. (19 mm) self-locking snap hook
- Carabiner



## Gripgrab® Rope Grab

The Gripgrab® is a cam lever single jaw rope grab designed to move freely along a synthetic lifeline. The rope grab protects the worker while climbing up and down.

- $\frac{3}{4}$ -in. (19 mm) diameter three-strand rope
- Locking pin installation system
- Quick and easy to install
- 2-in. (50 mm) attachment ring

### D3412G

- 2 ft. x 1-in. (0,6 m x 25 mm) shock absorber
- $\frac{3}{4}$ -in. (19 mm) self-locking snap hook

### D3462G

- 2-ft. (0,6 m) web
- $\frac{3}{4}$ -in. (19 mm) self-locking snap hook



# LIFELINES



## Polyblend Lifelines

- $\frac{5}{16}$ -in. (16 mm) diameter
- Breaking strength: 6,500 lbs. (28.9 kN)

### G9058

- Bulk – 600 and 1,200-ft. (180 and 365 m) spools

### GB\_\_N\*

- Nylon thimble only

### GB\_\_NG\*

- $\frac{3}{4}$ -in. (19 mm) snap hook

### GB\_\_NE\*

- 2 $\frac{1}{2}$ -in. (57 mm) snap hook

## Superline Lifelines

- $\frac{5}{16}$ -in. (16 mm) diameter
- Breaking strength: 11,500 lbs. (51.2 kN)

### G8058

- Bulk – 1,200-ft. (365 m) spools

### GS\_\_N\*

- Nylon thimble only

### GS\_\_NG\*

- $\frac{3}{4}$ -in. (19 mm) snap hook

### GS\_\_NE\*

- 2 $\frac{1}{2}$ -in. (57 mm) snap hook



## Bulk Kernmantle Lifelines

### G70716

- $\frac{1}{16}$ -in. (11 mm) diameter
- Breaking strength: 7,500 lbs. (33.3 kN)

### G7012

- $\frac{1}{2}$ -in. (13 mm) diameter
- Breaking strength: 8,200 lbs. (36.4 kN)

\* Replace “\_\_” in part number with desired length in feet. Standard lengths: 25, 50, 100, 200, 300 and 400 ft.

# BLOCFOR®

## SELF-RETRACTING LIFELINES

### FEATURES

- Sleek and durable housings
- Lightweight
- Integrated carrying handles
- Easy to handle
- ◇ Synchronized twin inertia-braking pawls
- Constant triggering speed regardless of position
- Isolated spring and braking mechanism made of anti-corrosive and anti-sparking materials
- Impact-indicating snap hook
- Rubber recoil bumper
- ◇ Temper proof connector assembly including carabiner

◇ *Exclusive feature*

### STANDARDS

- CSA Z259.2.2
- ANSI Z359.1
- OSHA requirement for fall protection

When subjected to a fall, the unit must be returned for service.



Part #	Length	Casing
<b>With Galvanized Steel Wire Rope</b>		
RT20G	20 ft. (6 m)	Polyamide 6/ABS
RT30G	30 ft. (9 m)	Polyamide 6/ABS
RT50G	50 ft. (15 m)	Polyamide 6/ABS
RT75G	75 ft. (23 m)	Cast aluminium
RT100G	100 ft. (30 m)	Cast aluminium
<b>With Stainless Steel Wire Rope</b>		
RT20S	20 ft. (6 m)	Polyamide 6/ABS
RT30S	30 ft. (9 m)	Polyamide 6/ABS
RT50S	50 ft. (15 m)	Polyamide 6/ABS
RT75S	75 ft. (23 m)	Cast aluminium
RT100S	100 ft. (30 m)	Cast aluminium
<b>With Synthetic Rope</b>		
RT30R	30 ft. (9 m)	Polyamide 6/ABS
RT50R	50 ft. (15 m)	Polyamide 6/ABS
RT100R	100 ft. (30 m)	Cast aluminium
<b>Optional Upper Swivel Attachment</b>		
Add "/SW" to the end of the code		



Optional Swivel



**NEW!**

### Blocfor® Self-Retracting Lifeline with Synthetic Web

#### RS20W

- 3/4-in. (19 mm) synthetic web
- Length: 20-ft. (6 m)
- Polyamide casing
- Compact and lightweight

### 10-ft. (3 m) Self-Retracting Web Lanyard with Cover

#### RN90Q

- Autolocking carabiner
- Fall indicator fold
- 3/4-in. (19 mm) self-locking snap hook





### Blocmat 250

The Blocmat 250 is a retractable load arrester. The length of the wire rope is adjusted automatically by a tensioning and retraction system. The load arrester Blocmat 250 has been designed to secure suspended loads. It is fitted with large handles for lifting and carrying.

Part #	Length	Capacity
RB530	30 ft. (9 m)	550 lbs. (250 kg)
RB550	50 ft. (15 m)	550 lbs. (250 kg)



### Blocmat S – Suspended Types

The Blocmat S is a suspended type of material load arrester. It is composed of an automatic fall-arrest device and a rope-reeling drum, both fixed on a reliable rectangular fixing plate.

Part #	Length	Wire rope	Capacity
RBS1150	50 ft. (15 m)	¼ in. (6 mm)	1,100 lbs. (500 kg)
RBS1180	80 ft. (24 m)	¼ in. (6 mm)	1,100 lbs. (500 kg)
RBS1732	32 ft. (9.7 m)	⅝ in. (8 mm)	1,700 lbs. (770 kg)
RBS1765	65 ft. (19.8 m)	⅝ in. (8 mm)	1,700 lbs. (770 kg)
RBS2225	25 ft. (7.6 m)	¾ in. (9.5 mm)	2,200 lbs. (1,000 kg)
RBS2240	40 ft. (12 m)	¾ in. (9.5 mm)	2,200 lbs. (1,000 kg)
RBS2280	80 ft. (24 m)	¾ in. (9.5 mm)	2,200 lbs. (1,000 kg)

### Blocmat SI – Floor-Mounted Types

The Blocmat SI has been designed to secure suspended loads. This range shall be fixed in a floor-mounted position and used with an upper return sheave. It is composed of an automatic fall-arrest device and a rope-reeling drum, both fixed on a reliable rectangular fixing plate.

Part #	Length	Wire rope	Capacity
RBF1150	50 ft. (15 m)	¼ in. (6 mm)	1,100 lbs. (500 kg)
RBF1180	80 ft. (24 m)	¼ in. (6 mm)	1,100 lbs. (500 kg)
RBF1750	50 ft. (15 m)	⅝ in. (8 mm)	1,700 lbs. (770 kg)
RBF1780	80 ft. (24 m)	⅝ in. (8 mm)	1,700 lbs. (770 kg)
RBF2232	32 ft. (9.7 m)	¾ in. (9.5 mm)	2,200 lbs. (1,000 kg)
RBF2280	80 ft. (24 m)	¾ in. (9.5 mm)	2,200 lbs. (1,000 kg)



# FALL PROTECTION KITS

## Aerial Lift Kit

### EAC06G

- Lightweight harness (AC432)
- Permanently attached 6-ft. (1.8 m) shock-absorbing lanyard (C006G)
- Storage bag (XB1116)
- Also available in 4-ft. (1.2 m) model



AC432 & C006G



XB1116

## Basic Fall Protection Kit

### KITC-B71

- Versafit harness (AC732)
- 6-ft. (1.8 m) shock-absorbing lanyard (C1106G)
- Storage bag (XB1116)



AC732



C1106G



XB1116

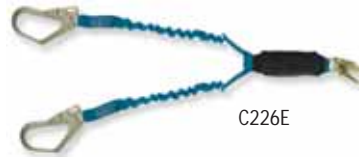
## Scaffolding/Forming Kit

### KITC-B72

- Scaffold harness (AC732/D)
- 6-ft. (1.8 m) shock-absorbing lanyard (C226U)
- Storage bag (XB1116)



AC732/D



C226E



XB1116

## 100% Tie Off Kit

### KITC-B73

- Versafit harness (AC732)
- 6-ft. (1.8 m) shock-absorbing lanyard (C1126G)
- Storage bag (XB1116)



AC732



C1126G



XB1116

# QUICK-MOUNT® ROOFERS KITS

## FEATURES

- Versafit harness (AC732)
- Available with 25-ft. or 50-ft. (7.6 or 15 m) lifelines
- Stopfor® S rope grab and 2-ft. (0.6 m) shock-absorbing lanyard combination (D5812G)
- Pack of anchoring screws
- Instructions manual
- Supplied in a carrying pail

### N0325S

- One reusable roofing anchor
- 25-ft. (7.6 m) system

### N0350S

- One reusable roofing anchor
- 50-ft. (15 m) system



## Reusable Roofing Anchor

### N105B

- Box of five anchors
- With screws

## Heavy-Duty Hinged D-ring Roof Anchor

### 428103S

- With screws



**NEW!**

# ROOF ANCHORS



## Tile Roof Anchor Point

This unique anchor was designed specifically for Tile Roof applications. The permanently mounted anchor connects directly to the roof truss and provides a ladder mounting J-hook as well as a 5,000 lbs. (22.2 kN) lifeline anchorage point.

N666638

- For tile roof



## Screw Down Roof Anchor

The Screw Down Roof Anchor has a 360° swiveling basket to hold up to 50 ft. (15 m) retractable lifeline. This convenient setup keeps the self-retracting lifeline off the roof and rotating freely for greater ease of movement. Lightweight and portable, this anchor provides a quick solution to your fall protection needs.

N620

- For wood roof



## Adjustable/Swivel Ridge Anchor

Mount this anchor at the peak of the roof, put up to a 50 ft. (15 m) self-retracting lifeline in the 360° swiveling basket and work both sides of the roof without having to move the anchor. This anchor is the ultimate in flexibility, and with its durable powder coated steel finish will provide years of trouble free service.

N630

- For wood roof



## Flat Metal Roof Anchor

The flat metal roof anchor provides continuous protection and 360° freedom of movement on Type B & Type R roof decking as well as flat metal roofs. It's lightweight and screw down installation allow for quick easy installation.

N640

- For metal roof



## Standing Seam Roof Anchor

The Standing Seam Roof Clamp provides continuous protection and freedom of movement on flat or sloped seamed roofs. Provides a 360° swivel mount for use with retractable lifeline. Adjustable for metal roof seams 24, 30, 32 and 36 in. (60, 75, 80 and 90 cm).

N650

- For metal roof

All wood and metal roof anchors accommodate Blocfor® 30 and 50 ft. (9 and 15 m).

# DEROPE

## CONTROLLED-DESCENT EVACUATION/RESCUE SYSTEMS

### FEATURES

- Easy to use, requires minimum training
- Automatically controls rate of descent
- Descent speed of 138 ft./min. (42 m/min.)
- ◇ Capable of multi-person rescues
- ◇ Available with hand crank winch for limited lifting

### ◇ Exclusive feature

#### All Derope kits include:

- Derope unit
- 3-ft. (0.9 m) anchor sling (V4135)
- 2-in. (50 mm) carbon steel autolocking carabiner rated 9,000 lbs. (40 kN) (P307)
- J-knife (KSOS)
- Rescue/rope bag (XB23144 or XB26168)

#### Part # Description

##### Derope model T

K7200/TK	200 ft. Derope rescue system
K7300/TK	300 ft. Derope rescue system
K7400/TK	400 ft. Derope rescue system
K7500/TK	500 ft. Derope rescue system
K7600/TK	600 ft. Derope rescue system

##### Derope model A with hand crank

K7200/AK	200 ft. Derope rescue system
K7300/AK	300 ft. Derope rescue system
K7400/AK	400 ft. Derope rescue system

##### Derope model KT

K7100/KTK	100 ft. Derope rescue system
K7200/KTK	200 ft. Derope rescue system
K7300/KTK	300 ft. Derope rescue system

#### Derope model Up E kits include:

- Derope unit with mounted ladder adapter
- Adjustable lanyard including two PM11 carabiners (D58M98)
- Edge Roller (K072586K)
- T-bar (K5TBAR/K)
- Stopfor® A 3/8-in. (16 mm) rope grab (WA58)
- Rescue bag (XB26168)

#### Part # Description

K7230/WK	230 ft. Derope rescue system
K7280/WK	280 ft. Derope rescue system
K7330/WK	330 ft. Derope rescue system

#### Semi-static Kernmantle rope

- Evacuation recommended length of rope: 1 x the height to evacuate
- Rescue recommended length of rope: 2 x the height to evacuate

#### Part # Description

K51S9	3/8-in. (9 mm) Kernmantle rope
-------	--------------------------------





### Model T

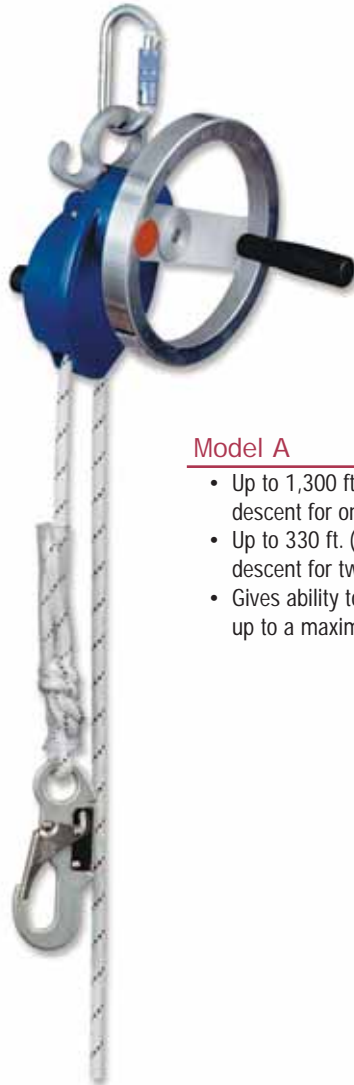
- Up to 1,300 ft. (400 m) of descent for one person
- Up to 330 ft. (100 m) of descent for two persons

**NEW!**



### Model Up E

- Up to 1,300 ft. (400 m) of descent for one person
- Up to 330 ft. (100 m) of descent for two persons
- Bracket enables the user to secure the Derope on ladder rings
- Gives ability to winch a person up to a maximum of 26 ft. (8 m)



### Model A

- Up to 1,300 ft. (400 m) of descent for one person
- Up to 330 ft. (100 m) of descent for two persons
- Gives ability to winch a person up to a maximum of 26 ft. (8 m)



### Model KT

- Up to 650 ft. (200 m) of descent for one person
- Up to 330 ft. (100 m) of descent for two persons

# ASCENT/DESCENT SYSTEMS

Designed for controlled descent, work access and rescue for general industry, maintenance and confined space applications

## FEATURES

- Manually operated, raising and lowering
- Requires 10 lbs. (4.5 kg) of force to hold a 220-lb. (100 kg) load
- 4:1 mechanical advantage
- ◇ Anti-reversing lock, activates in descent mode
- Positioning ascender
- $\frac{3}{16}$ -in. (11 mm) diameter Kernmantle rope
- Optional  $\frac{1}{2}$ -in. (13 mm) diameter Kernmantle rope available

◇ *Exclusive feature*

### K50S25

- 25-ft. (7.6 m) system

### K50S50

- 50-ft. (15 m) system

### K50S75

- 75-ft. (23 m) system

### K50S100

- 100-ft. (30 m) system



# ACCESSORIES

**NEW!**

## D4 Descender

Controlled descent device with safety descent lever containing dual brake mechanism for accidental release or panic grab.

### K3013572

- Standard: EN 340, class A (exceeds CSA Z259.2.3-99 and ANSI Z359.3-06)
- Rope diameter:  $\frac{3}{8}$  to  $\frac{1}{2}$  in. (9 to 13 mm)
- Hinged side plate to facilitate rigging
- Aluminium alloy sheaves
- Stainless steel side plates



## Sternal Ascent Locking Device

For rope ascension within rope access, caving, or other specialty arenas of ascending fixed lines.

### K3017632

- Standard: EN 567 (Mountaineering equipment)
- Rope diameter:  $\frac{3}{8}$  to  $\frac{1}{2}$  in. (9 to 13 mm)
- Aluminium alloy
- Breaking strength: 3,375 lbs. (15 kN)



## Left & Right Hand Ascenders

For rope ascension or specialty rigging applications used within rope access and rescue practices.

- Standard: EN 567 (Mountaineering equipment)
- Rope diameter:  $\frac{3}{8}$  to  $\frac{1}{2}$  in. (9 to 13 mm)
- Aluminium alloy
- Breaking strength: 3,375 lbs. (15 kN)

### K3020492

- Right ascender handle

### K3020502

- Left ascender handle



# TOWER CLIMBER'S SYSTEMS

## CLIMBING AND WORK POSITIONING



### Basic System

#### KITC-TCB

- Tower harness (FBBL)
- Tie-back lanyard (C126UZ)
- Work positioning lanyard (CSP1560)
- Petzl helmet (K3A06)
- Gear storage bag (XB23144 or XB26168)

### Deluxe System

#### KITC-TCD

- Tower harness with saddle (FBBL/SAD)
- Tie-back lanyard (C126UZ)
- Work positioning lanyard (CSP1560)
- Stopfor® S 3/8-in. (16 mm) rope grab with 2-ft. (0.6 m) lanyard combination (D5812G)
- 3/8-in. (9.5 m) wire rope grab with carabiner (LT516)
- Petzl helmet (K3A06)
- Gear storage bag (XB23144 or XB26168)



# ACCESSORIES



### Bags

#### XB23144

- Medium

#### XB26168

- Large



### Victim Transfer Pulley

#### K9TRPS

- Two carabiners
- Bag

#### XB2410

- Bag for victim transfer pulley



### Evacuation Seat

Designed for evacuations with controlled descent devices. Elastic shoulder straps for controlled donning.

#### K5HT9

- For one person
- One size fits most



### Suspension Loop

#### K6FL6A

- For post-fall suspension

# CONFINED SPACE SYSTEMS

Accessing confined spaces involves a number of life-threatening hazards. These may include the possibility of a fall or the occurrence of being overcome by fumes or gases. Tractel's confined space access and rescue systems are designed to provide a safe means of accessing a confined space area. In an emergency, confined space systems allow the rescuers to retrieve the injured or unconscious workers without exposing themselves to similar potential hazards.

## Standard Confined Space Systems

Part #	Description	Tripod		Bi-directional retrieval		Winch		Retractable lifeline	
		T3S7	T1T50G	T1T100G	T2S50G	T2S100G	RT50G	RT100G	
T51F50G	Confined Space System One – 50 ft. (15 m)	x	x						
T51F100G	Confined Space System One – 100 ft. (30 m)	x		x					
T52F50G	Confined Space System Two – 50 ft. (15 m)	x	x		x				
T52F100G	Confined Space System Two – 100 ft. (30 m)	x		x		x			
T53F50G	Confined Space System Three – 50 ft. (15 m)	x			x		x		
T53F100G	Confined Space System Three – 100 ft. (30 m)	x				x			x

All the above systems include required head pulleys, mounting brackets and carrying bags.



T52F50G



T51T50G

## Tracode Rescue Confined Space Systems

Two persons capacity with sheaves above tripod head to allow more clearance under the tripod for secure operation.

Part #	Description	Tripod		Bi-directional retrieval		Winch	
		T3I10	T3I102	T1T50G	T1T100G	T2T50G	T2T100G
T51T50G	Confined Space System One – 50 ft. (15 m)	x		x			
T51T100G	Confined Space System One – 100 ft. (30 m)	x			x		
T52T50G	Confined Space System Two – 50 ft. (15 m)		x	x		x	
T52T100G	Confined Space System Two – 100 ft. (30 m)		x		x		x

All the above systems include required mounting brackets and carrying bags.



## Motorized System

- Electrically powered or pneumatic lifting and lowering with the approved Tirak® hoist
- Can be controlled from the top by an operator well away from the danger
- In case of a main power failure, there is a manually operated handle with integrated brake to lift the work seat back to the top.

Note: Must be used with independent fall-protection equipment.

Part #	Description
T5301P	Tirak® XSE 301P motorized hoist, 220 V single phase 35 ft./min. (10.5 m/min.) with Blocstop® overspeed device, reeler 200 ft. (60 m), end of rope sensor and upper limit switch
T3I10K	Aluminium tripod with support for Tirak®
T919908	Silo seat with safety belt
T970829	Non rotative wire rope, 200 ft. (60 m)

# CONFINED SPACE SYSTEMS

## Standard Tripod

- Telescopic aluminium tripod
- Minimum breaking strength of 5,000 lbs. (22.2 kN)
- Two forged steel anchor eyes

### T3F7 (shown)

- 7-ft. (2.1 m) tripod

### T3F9

- 9-ft. (2.7 m) tripod



## Tracpode Rescue Tripod

- 8-ft. (2.4 m) adjustable aluminium tripod
- Min. breaking strength of 10,000 lbs. (44.4 kN)
- Steel head pulley
- Anchor eye
- Non-slip feet for indoor surfaces

### T3110

- With single head pulley

### T31102 (shown)

- With two head pulley



## Steel Head Pulley

- Easy to install
- Pulley with sealed ball bearing
- Pulley is supplied with carabiner

### T90P2

- Steel head pulley with carabiner



## Leg Mounting Bracket

### T90B4

- For Blocfor® retrieval lifeline

## Work Winch

- Galvanized steel wire rope lengths of 50, 100 or 200 ft. (15, 30 or 60 m)
- Tripod mounting bracket included

### T2S50G

- 50 ft. (15 m) work winch

### T2S100G

- 100 ft. (30 m) work winch

### T2S200G

- 200 ft. (60 m) work winch

## Blocfor® Bi-Directional Retrieval Lifeline

While the retracting capability of the unit provides freedom of movement and fall protection, the device can be easily converted to a recovery device to rescue injured or unconscious worker.

Part #	Length	Wire rope	Casing
T1T50G	50 ft. (15 m)	Galvanized steel	Polyamide 6/ABS
T1T100G	100 ft. (30 m)	Galvanized steel	Cast aluminium
T1T50S	50 ft. (15 m)	Stainless steel	Polyamide 6/ABS
T1T100S	100 ft. (30 m)	Stainless steel	Cast aluminium



Work winch must be used with a backup fall arrest system.



## Spreader Bar

### T9YL2

- Web 2 ft. (0.6 m)

## Bosun's Chair

### Q207B

- 12 x 24 in. (0.3 x 0.6 m) seat
- Integrated belt\*

\* standard is medium, specify for other size.

## Carrying Bag for Tripod

### XB15105

- For up to 10 ft. (3 m) tripod
- 105 x 15 x 15 in. (267 x 38 x 38 cm)



## S Pulley (Fixed Side Plates)

Technical rigging applications for light to medium loads and personnel. Ideal use within arboricultural climbing systems or guided descent evacuation.

### K3040162

- Single sheave: 1<sup>1</sup>/<sub>6</sub> in. (27 mm)
- Breaking strength: 4,500 lbs. (20 kN) direct
- Dimension: 3<sup>3</sup>/<sub>6</sub> x 2<sup>1</sup>/<sub>6</sub> in. (81 x 55 mm)
- Rope diameter: <sup>3</sup>/<sub>6</sub> to <sup>1</sup>/<sub>2</sub> in. (9 to 13 mm)
- Aluminium alloy



## S Pulley (Rotating Side Plates)

Technical rigging applications for light to medium loads and personnel.

### K3040172

- Single sheave: 1<sup>1</sup>/<sub>6</sub> in. (27 mm)
- Rotating side plates (inline positioning)
- Breaking strength: 4,500 lbs. (20 kN) direct
- Dimension: 3<sup>3</sup>/<sub>6</sub> x 2<sup>1</sup>/<sub>6</sub> in. (81 x 55 mm)
- Rope diameter: <sup>3</sup>/<sub>6</sub> to <sup>1</sup>/<sub>2</sub> in. (9 to 13 mm)
- Aluminium alloy



## M Pulley (Rotating Side Plates)

Technical rigging applications for light to medium loads and personnel.

### K3040102

- Single sheave: 2<sup>5</sup>/<sub>6</sub> in. (59 mm)
- Rotating side plates (inline positioning)
- Breaking strength: 6,300 lbs. (28 kN) direct
- Dimension: 4<sup>1</sup>/<sub>6</sub> x 3<sup>3</sup>/<sub>6</sub> in. (119 x 82 mm)
- Rope diameter: <sup>5</sup>/<sub>6</sub> to <sup>1</sup>/<sub>2</sub> in. (8 to 16 mm)
- Aluminium alloy



## Double Pulley (Rotating Side Plates)

Technical short hoist pulley systems for medium loads and personnel.

### K3040112

- Rotating side plates (inline positioning)
- Breaking strength: 5,400 lbs. (24 kN) direct
- Dimension: 5<sup>5</sup>/<sub>6</sub> x 3<sup>3</sup>/<sub>6</sub> in. (144 x 82 mm)
- Rope diameter: <sup>5</sup>/<sub>6</sub> to <sup>1</sup>/<sub>2</sub> in. (8 to 16 mm)
- Aluminium alloy



## In-Line Double Pulley

For guided Descent or Tyrolean traverse systems.

### K3040092

- Single sheave x 2: 2<sup>5</sup>/<sub>6</sub> in. (59 mm)
- Breaking strength: 6,750 lbs. (30 kN) direct
- Dimension: 4<sup>1</sup>/<sub>6</sub> x 3<sup>3</sup>/<sub>6</sub> in. (113 x 86 mm)
- Rope diameter: <sup>5</sup>/<sub>6</sub> to <sup>1</sup>/<sub>2</sub> in. (8 to 13 mm)
- Aluminium alloy



## Rigging Plate

Suitable for most rigging applications.

### K3020512

- Standard: EN 759 B (Anchorage device)
- Breaking strength: 6,750 lbs. (30 kN) direct
- Dimension: 7<sup>7</sup>/<sub>6</sub> x 5<sup>1</sup>/<sub>6</sub> in. (200 x 150 mm)
- Aluminium alloy



## Edge Roller

Edge protection for use on industrial structures.

### K072586K

- Aluminium alloy

**NEW!**

# STANCHION

## FEATURES

- Lightweight and portable
- Installs quickly
- Can be used on perimeter of building
- Two-person tie off, up to 60 ft. (18.3 m)
- Mounts at a 19° angle from the base, out of the way of workers walking steel
- Attaches to beam with top mounted bolts and safety chain
- No drilling or welding
- No web straps to deteriorate
- No ratchets to break or threaded rods to lose
- No tie-back cables or loose pieces
- Can be used as intermediate or end stanchion

### H8100

- Single stanchion



**NEW!**

# DAVIT ARMS

## FEATURES

- 2-person rated
- 22-in. (55 cm) offset mast
- Lightweight aluminium construction
- Durable powder coated finish

### T6100

- Davit arm

### T6100W50 (shown)

- Davit arm with 50-ft. (15 m) work winch



The Tractel Davit Arm can be used as an alternative to tripods as an effective and economical confined space entry/rescue device. A continually braking mechanical winch with a standard 50-ft. (15 m) working length galvanized steel cable provides an adequate lifeline for most entry/rescue situations. A standard tie-off point provides a convenient anchor point for fall protection devices where required.

# TIRSAFE™

## TEMPORARY HORIZONTAL LIFELINE SYSTEM

### FEATURES

- ◇ Built-in tension indicator
- Impact indicator
- ◇ Re-settable by authorized service center
- ◇ Three users per single span
- Single spans up to 65 ft. (20 m)
- ◇ Multi spans up to 300 ft. (90 m)
- ◇ Minimal line deflection
- Lightweight and quick installation
- Sold separately or as complete system

◇ *Exclusive feature*

The Tirsafe™ device adds new energy absorbing technology to any Horizontal Lifeline System (HLL). With the unit's unique features, it allows for quicker and more reliable installations while at the same time provides the industries **first** fully reusable HLL Energy Absorber.

The system is designed to accommodate up to three workers to travel along a 65 ft. (20 m) single span or up to 300 ft. (90 m) multi spans and reduces line deflection to approximately seven feet.

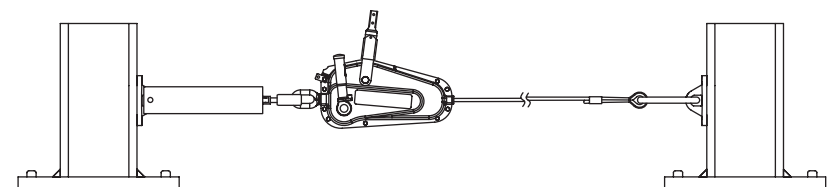
Upon impact force, the Tirsafe™ device is simply sent back to an authorized service center, similar to Self Retracting Lifelines, for repairs and re-certification. The Tirsafe™ HLL Energy Absorber is simply the easiest, most reliable and cost effective system on the market today.

Part #	Description
<b>Tirsafe® Unit</b>	
H088159	Tirsafe® unit only
<b>System with Turnbuckle</b>	
H365001	65-ft. (20 m) system
H310001	100-ft. (30 m) system
<b>System with T3 Tirfor®</b>	
H41001	100-ft. (30 m) system
H41501	150-ft. (45 m) system
H42001	200-ft. (60 m) system
H43001	300-ft. (90 m) system
<b>Turnbuckle</b>	
78JWT8L	Turnbuckle



*"Federal, state and provincial regulations require that horizontal lifelines are to be designed, installed and used under the supervision of a qualified person, and as part of a complete fall arrest system which maintains a safety factor of at least two."*

Refer to CSA Z259.13-04 and OSHA 1926.502 (d) (8)



**Tension indicator**



The T3 Tirfor® unit is a continuous locking jaw tensioning device. Used along with the Tirsafe™ Horizontal Lifeline System, it provides a fast and easy method for tensioning any horizontal lifeline. The unit is sold separately or as part of a complete Tirsafe™ system and makes installing and moving horizontal system quick and effortless.



**Impact indicator**

# FALLPROTEC

## TEMPORARY HORIZONTAL WIRE ROPE LIFELINE

Tractel's horizontal wire rope lifeline system is a low-stretch, single line system. Suspended between two approved anchorage points, the system provides worker fall protection during horizontal movement. Strong, lightweight and quick to install, the system utilizes very few parts to increase safety and ease installation. The lifeline tension and adjustment is performed using a turnbuckle tensioner. The shock-absorbing device included in the system contributes to reduce substantially the maximum impact load on the anchorage points, thus reducing damage to the system.

- Shock-absorbing device
- $\frac{3}{8}$ -in. (9.5 mm) wire rope lifeline
- Jaw/jaw turnbuckle tensioner
- Two autolocking carabiners
- Two travel forged O-rings

### H23001

- 30-ft. (9 m) system

### H26001

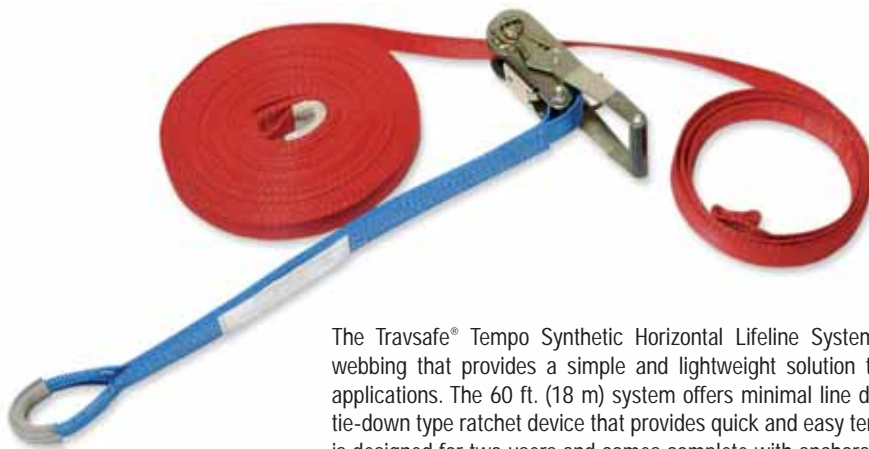
- 60-ft. (18 m) system



**NEW!**

# TRAVSAFE® TEMPO

## TEMPORARY HORIZONTAL WEB LIFELINE



The Travsaf<sup>®</sup> Tempo Synthetic Horizontal Lifeline System utilizes a low-stretch polyester webbing that provides a simple and lightweight solution to temporary horizontal fall arrest applications. The 60 ft. (18 m) system offers minimal line deflection and utilizes a heavy duty tie-down type ratchet device that provides quick and easy tensioning to the system. The system is designed for two users and comes complete with anchorage straps, auto locking carabiners, traveling O-rings and storage bag.

### H636768

- Two anchor slings (V4165)
- Two carabiners (PM11)
- Two travel O-rings (47700)
- Storage bag



47700



PM11



V4165

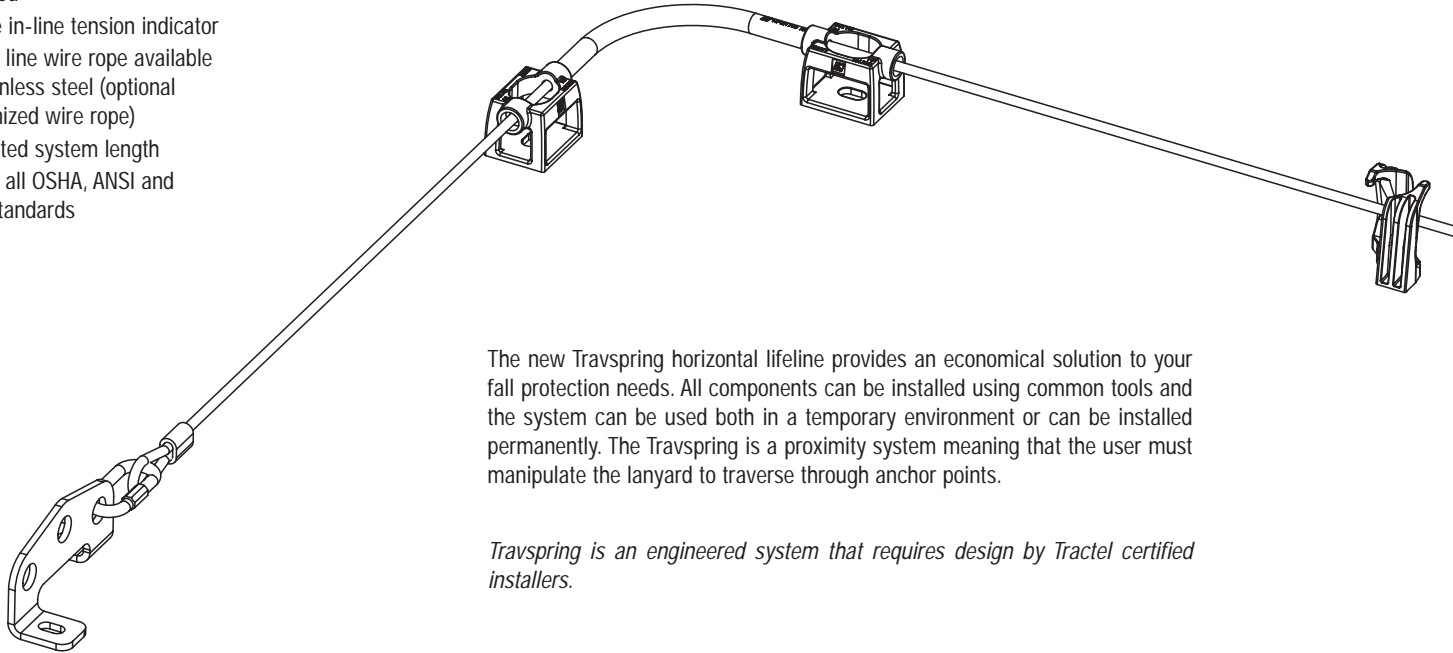
# TRAVSPRING

## HORIZONTAL LIFELINE SYSTEM

NEW!

### FEATURES

- Intermediate anchors every 50 ft. (15 m)
- Easy to install, no special tools required
- Visible in-line tension indicator
- Single line wire rope available in stainless steel (optional galvanized wire rope)
- Unlimited system length
- Meets all OSHA, ANSI and CSA standards



The new Travspring horizontal lifeline provides an economical solution to your fall protection needs. All components can be installed using common tools and the system can be used both in a temporary environment or can be installed permanently. The Travspring is a proximity system meaning that the user must manipulate the lanyard to traverse through anchor points.

*Travspring is an engineered system that requires design by Tractel certified installers.*



**End Anchor**

J3666848

- Stainless steel



**Tension Indicator**

J3666858

- Stainless steel



**Energy Absorber**

J3666688

- Supplied with quick link
- Stainless steel



**Turnbuckle**

J3640742

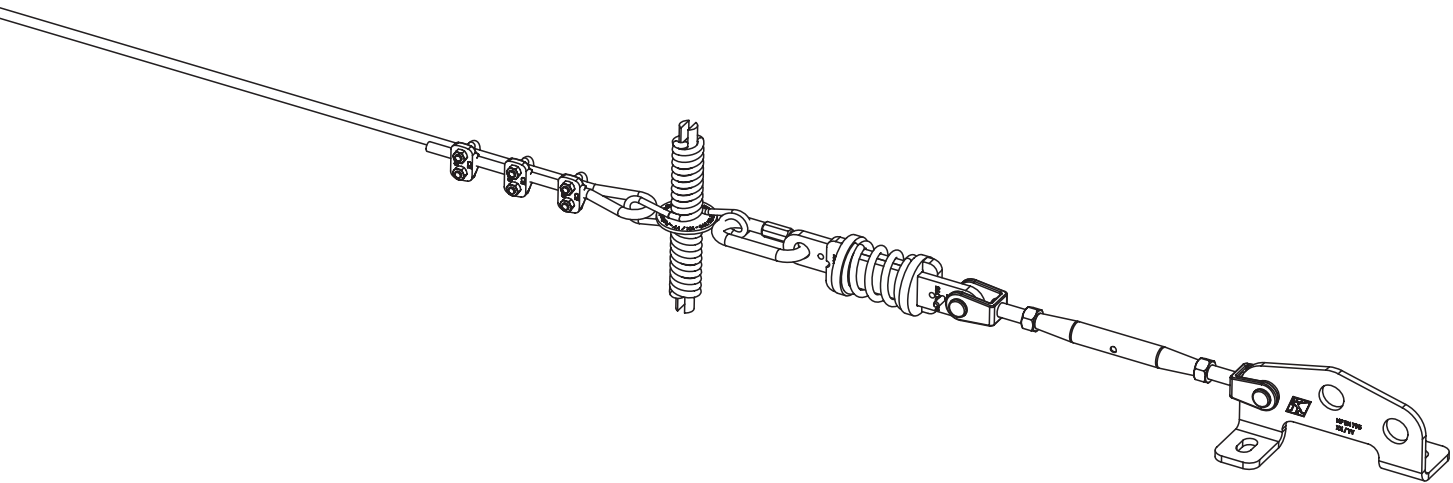
- Stainless steel

# TRAVSPRING

## HORIZONTAL LIFELINE SYSTEM

### APPLICATIONS

- Roof tops without guard rails or high parapets
- Bridges and viaducts
- Overhead cranes
- Construction sites without parapets



### Intermediate Support

J3666868

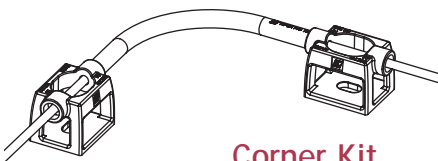
- One every 50 ft. (15 m) apart
- Stainless steel



### Cable

J370090000

- 5/16-in. (8 mm) diameter
- Galvanized or stainless steel



### Corner Kit

J3666878

- Includes two turning point anchors and a guide tube
- Stainless steel



### Wire Rope Clip

442905

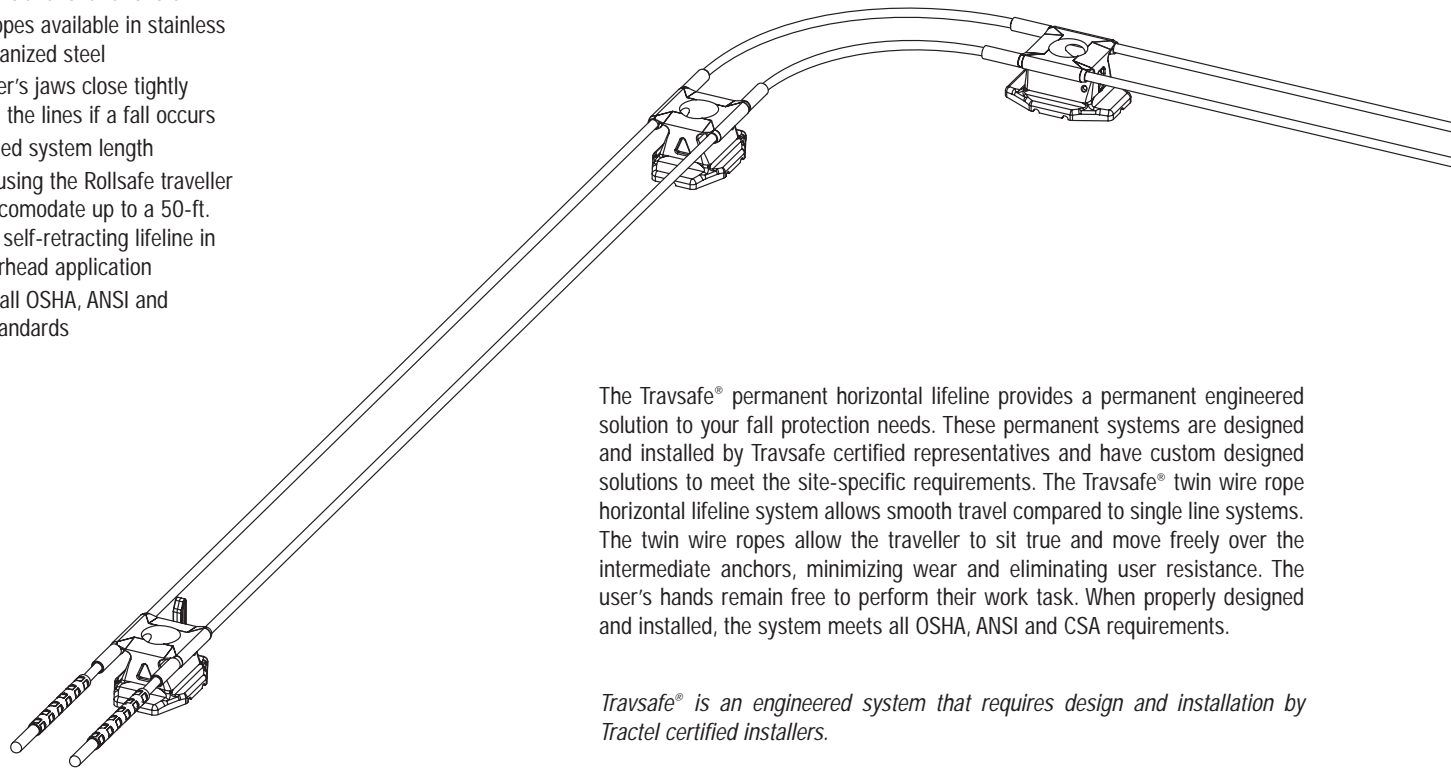
- For 5/16-in. (8 mm) wire rope
- 3 required per extremity

# TRAVSAFE®

## PERMANENT HORIZONTAL LIFELINE SYSTEM

### FEATURES

- Intermediate anchors every 50 ft. (15 m)
- Ease of travel over anchors
- Wire ropes available in stainless or galvanized steel
- Traveller's jaws close tightly around the lines if a fall occurs
- Unlimited system length
- When using the Rollsafe traveller can accommodate up to a 50-ft. (15 m) self-retracting lifeline in an overhead application
- Meets all OSHA, ANSI and CSA standards



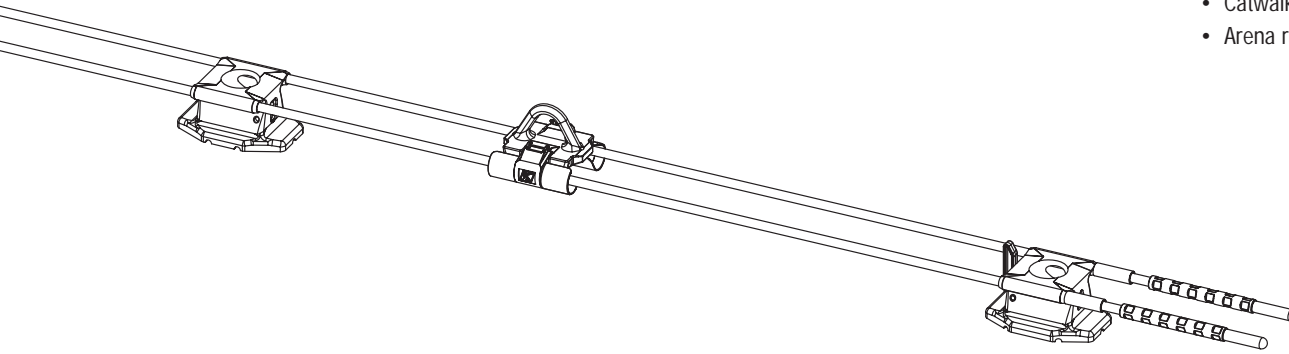
The Travsafes® permanent horizontal lifeline provides a permanent engineered solution to your fall protection needs. These permanent systems are designed and installed by Travsafes certified representatives and have custom designed solutions to meet the site-specific requirements. The Travsafes® twin wire rope horizontal lifeline system allows smooth travel compared to single line systems. The twin wire ropes allow the traveller to sit true and move freely over the intermediate anchors, minimizing wear and eliminating user resistance. The user's hands remain free to perform their work task. When properly designed and installed, the system meets all OSHA, ANSI and CSA requirements.

*Travsafes® is an engineered system that requires design and installation by Tractel certified installers.*



### APPLICATIONS

- Roof tops without guardrails or high parapets
- Aircraft hangers to allow airplane service
- Bridges and viaducts
- Overhead cranes
- Catwalks without sides
- Arena rafters



### Anchors



Stainless steel  
end anchor



Stainless steel  
intermediate anchor



Aluminium  
end anchor



Aluminium  
intermediate anchor

### Travellers

The travellers have minimal moving parts and are made out of stainless steel. They move effortlessly over the anchors and around corners. The **Regular** traveller fits onto the system at the end anchors, the **Removable** traveller can be installed at any point along the system. The **Rollsafe** traveller is used in overhead applications.



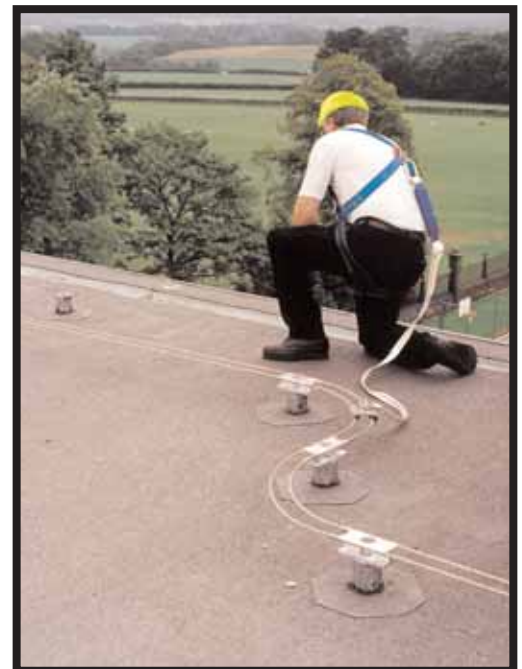
Regular



Removable



Rollsafe



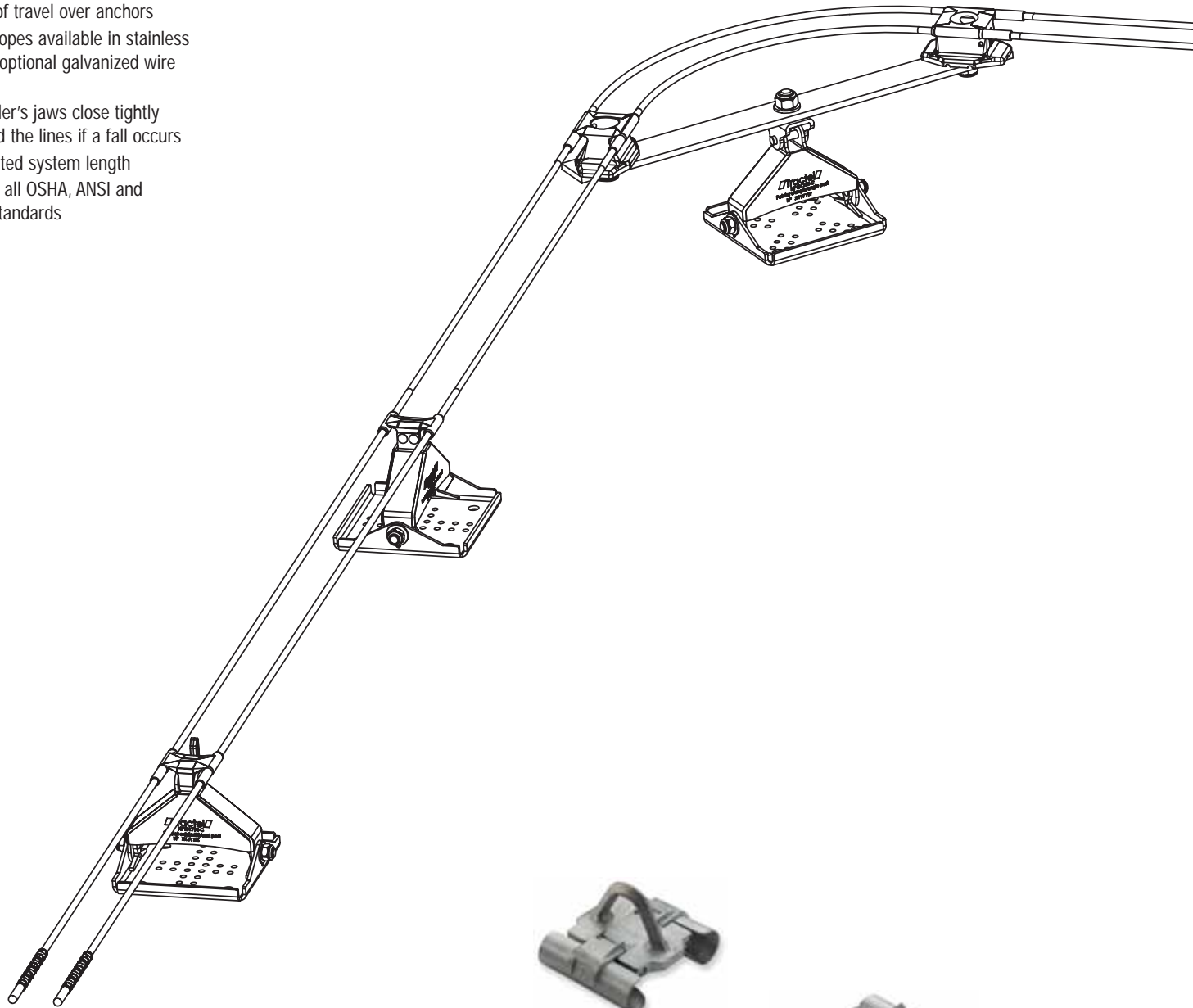
# TRAVFLEX

NEW!

## PERMANENT HORIZONTAL LIFELINE SYSTEM

### FEATURES

- Intermediate anchors every 50 ft. (15 m)
- Ease of travel over anchors
- Wire ropes available in stainless steel (optional galvanized wire rope)
- Traveller's jaws close tightly around the lines if a fall occurs
- Unlimited system length
- Meets all OSHA, ANSI and CSA standards



Regular



Removable

### Travellers

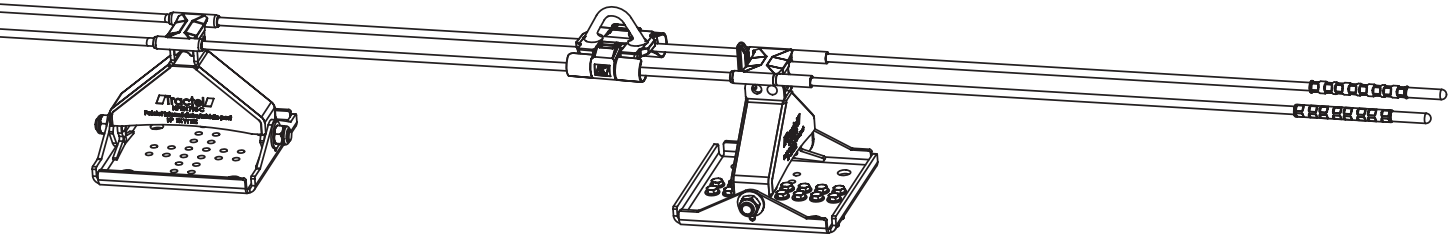
The travellers have minimal moving parts and are made out of stainless steel. They move effortlessly over the anchors and around corners. The **Regular** traveller fits onto the system at the end anchors, the **Removable** traveller can be installed at any point along the system.

# TRAVFLEX

## PERMANENT HORIZONTAL LIFELINE SYSTEM

### APPLICATIONS

- Metal roof building
- Structures that require smaller efforts



The all-new Travflex permanent horizontal lifeline system provides workers with a complete fall protection solution without restricting movement while on the job. The system has been designed for use on light structures that cannot withstand the loading of conventional horizontal systems. It is based on our popular Travsafe® system and utilizes many of the same parts. The Travflex can be attached to steel deck roofs using self-taping screws or it can clamp onto certain types of standing seam roofs.

*Travflex is an engineered system that requires design and installation by Tractel certified installers.*



Travflex®  
end anchor



Travflex®  
intermediate anchor



Travflex®  
corner kit

# STOPCABLE

## LADDER SAFETY SYSTEMS



Integrated shock absorber

### FEATURES

- Integrated shock absorber in upper bracket reducing efforts on ladder
- Adjustable on most permanent ladders
- No special tools required for installation
- System available for ladders extended above platform
- Includes:
  - Wire rope
  - Wire rope adjuster
  - Upper bracket with integrated shock absorber
  - Lower bracket

Wire rope	5/16 in. (8 mm)	3/8 in. (9.5 mm)
-----------	-----------------	------------------

Standard systems* with detachable traveller	LT516	LT38
20 ft. (6 m)	L1T20	L1T820
200 ft. (60 m)	L1T200	L1T8200

Extended systems* with detachable traveller	LN516	LN38
20 ft. (6 m)	L1NE20	L1NE820
200 ft. (60 m)	L1NE200	L1NE8200

\* Other lengths available from 20 to 200 ft. (6 to 60 m) by multiple of 10 ft. (3 m).  
Note: System does not include ladder.

# SERVO CLIMB ASSIST



The Servo Climbing system is a continuous climbing aid that reduces the workers weight while climbing through the use of a motorized pulley system. The motor exerts a constant pulling force of 88 lbs. (40 kg) to the body while ascending or descending fixed ladders reducing climbing fatigue. The system incorporates an internal "clutch" that stops the rope travel when the climber stops to rest or dismount the systems.

*Note: The Servo does not provide fall arrest protection and must be used in conjunction with a ladder safety system.*

# TIEBACK ANCHORS



## U-Bar

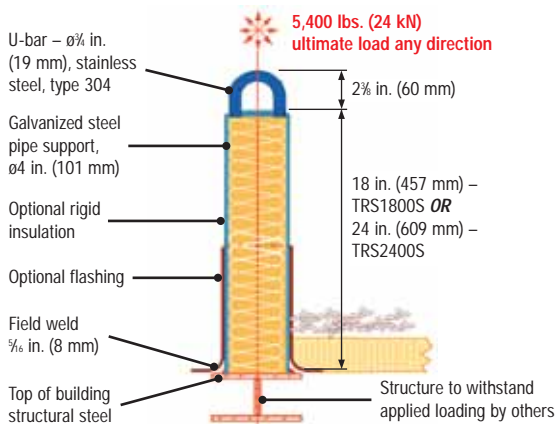
The standard U-bar safety tieback anchors are the economical solution for securing safety lifelines or equipment lines for fall protection and suspended work.

## Wall Mounted

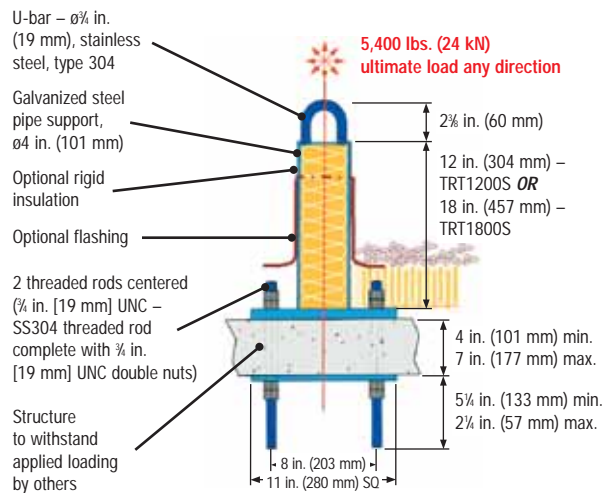
When tiebacks are required on roofs where waterproofing or flashing is not an option, Tractel's wall-mounted U-bar tieback anchors provide a simple, inexpensive solution.



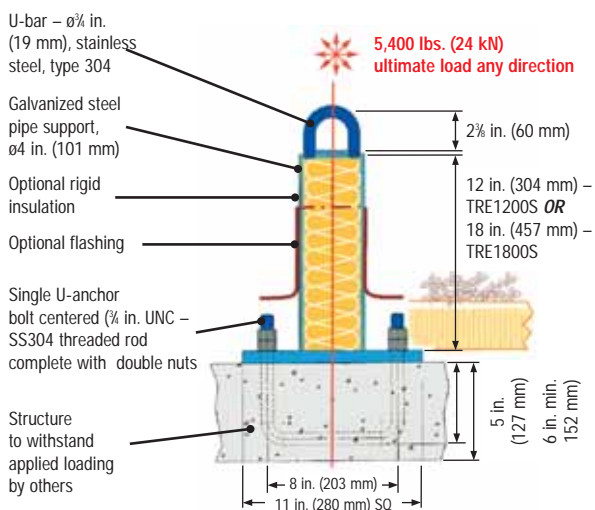
### TRS1800S and TRS2400S models



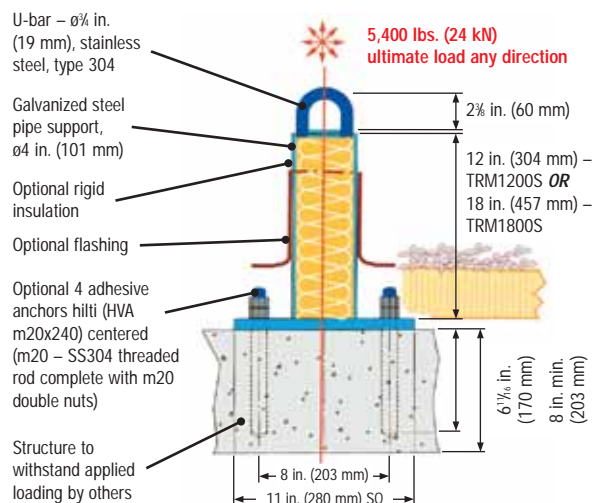
### TRT1200S and TRT1800S models



### TRE1200S and TRE1800S models



### TRM1200S and TRM1800S models



Tiebacks form a system that must be engineered and designed. Different models available. Please contact us for more information.

# TRACTEL WORLDWIDE...



#### In Canada

11020 Mirabeau  
Montreal, Quebec H1J 2S3  
1615, Warden Ave.  
Scarborough, Ontario M1R 2T3



## 1 800 561-3229

Local: (514) 493-3332 • Fax: (514) 493-3342 • [fallstop@tractel.com](mailto:fallstop@tractel.com) • [www.tractel.com](http://www.tractel.com)

#### In the United States

110 Shamut Rd., P.O. Box 188  
Canton, MA 02021  
315, Cloverleaf Dr., Build. E  
Baldwin Park, CA 91706



CANADA